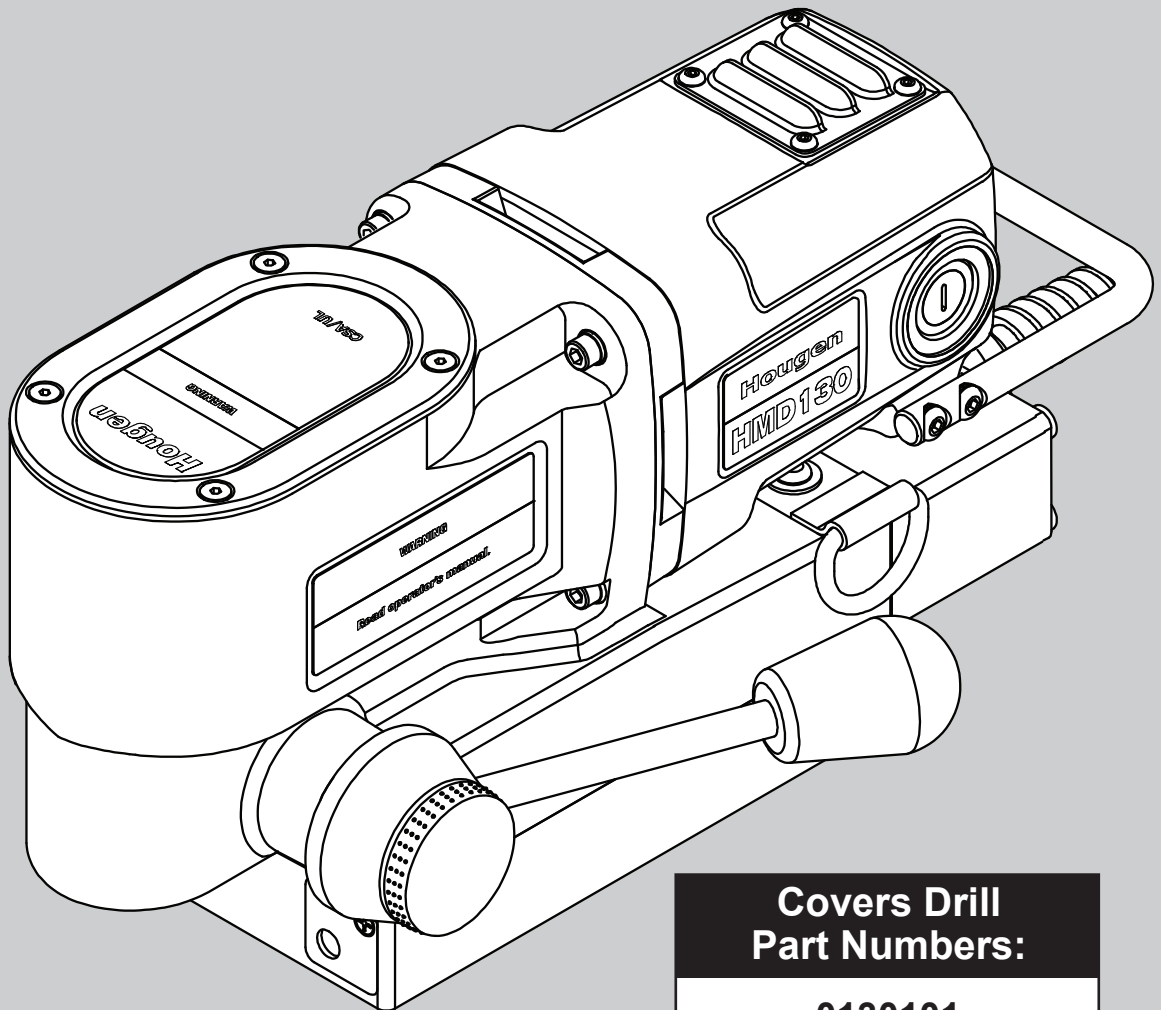




OPERATOR'S MANUAL

HMD130 SERIES PORTABLE MAGNETIC DRILL



**Covers Drill
Part Numbers:**

0130101

FOR USE WITH ROTALOC PLUS™ CUTTERS

HOUGEN® PORTABLE MAGNETIC DRILL MODEL HMD130 SERIES

Welcome to Hougen

Congratulations on your purchase of the Hougen® Portable Magnetic Drill. Your model is designed to produce superior holes quickly and efficiently. Through constant innovation and development, Hougen is committed to provide you with hole producing tools and products to help you be more productive.

Before attempting to operate your new Portable Magnetic Drill, please read all instructions first. These include the Operator's Manual and Warning Label on the unit itself. With proper use, care, and maintenance, your model will provide you with years of effective hole drilling performance. Once again, thank you for selecting our product and welcome to Hougen.

Specifications

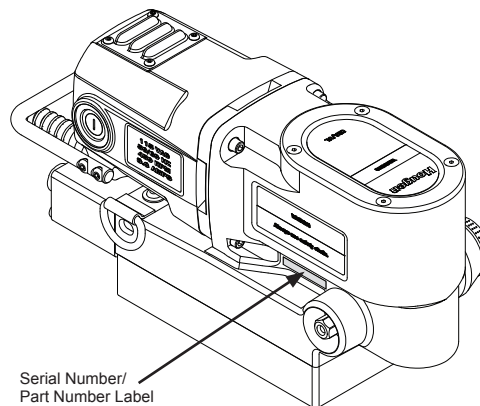
Cutter Type.....RotaLoc Plus
Hole Capacity.....1/2" to 1-3/8" (12mm-35mm)
Depth of Cut.....1" (25mm)
Motor.....450 RPM, 8A
Net Weight.....23.4 lbs. (10.6 kg)

Noise Specifications

Weighted Sound Pressure.....LpA=88.9dB(A)
Weighted Sound Pressure Uncertainty.....KpA=3dB(A)
Weighted Sound Power.....LwA=101.9dB(A)
Weighted Sound Power Uncertainty.....KwA=101.9dB(A)



Approved Duty Cycle Rated: 2 minutes "ON", 3 Minutes "OFF"



Refer to the Serial/Part number Label on your housing to direct you to the correct breakdown.

Part Number

0130101 HMD130 115V

UNPACKING YOUR NEW DRILL

1. Open shipping carton and remove the literature and hardware packages.
2. **Read and Follow All Instructions** before attempting to operate your new Magnetic Drill.
3. Please visit Hougen.com to register your unit now. It is important that Hougen Manufacturing, Inc. have a record of product ownership.
4. Open hardware package and check contents.
 - 17059 Safety Strap
 - 08511 Feed Handle
 - 08512 Feed Handle
 - 17021 Oval Knob
 - 11741 RotaMagic
 - 11746 Slick-Stik
5. Using the rear handle of Magnetic Drill, lift unit out of the shipping case.
6. Remove all packing and securing material from the drill unit.
7. Screw the Knob into the Feed Handle and then screw Handle into the Hub Assembly. Do not over tighten or may strip the knobs.
8. Your Magnetic Drill was factory adjusted prior to shipping. Check to make sure that all motor mount screws and magnet mounting screws are snug and have not vibrated loose in transit.
9. Your new Low profile Magnetic Drill uses Hougen RotaLoc Plus™ Cutters.

Reread Safety Warnings listed in the Operator's Manual and on the drill unit to avoid injury. Follow operating procedures.

INDEX

Welcome to Hougen.	2	HMD130 Exploded View	8
Important Safety Instructions	3-4	Parts List	9
Safety Switch Indicator Light	4	Motor Diagram & Part List	10
Operating Instructions	5	Rotaloc Series of Cutters	11
Rotaloc Plus Cutter Installation	6	Limited Warranty Information	11
Control Panel Diagram	7	Factory Authorized Warranty Repair Centers	12

WARNING



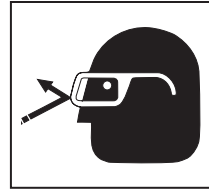
Cutters are sharp. Wear gloves when installing or removing cutter from arbor. Do not grab a rotating cutter.



To prevent electric shock, do not use power tools near wet areas, or where power tool may become wet.



Do not stare at operating light.



Always wear eye protection while using cutting tools, or in the vicinity of cutting.



The slug is ejected at the end of the cut. Do not aim cutter or arbor so that ejected slug may hit someone around, or below you.

IMPORTANT SAFETY INSTRUCTIONS



WARNING:

Read all safety warnings, instructions, illustrations and specifications provided with this power tool. Failure to follow all instructions listed below may result in electric shock, fire and/or serious injury.

1. Work Area Safety

- Keep your work area clean and well lit. *Cluttered or dark areas invite accidents.*
- Do not operate power tools in explosive atmospheres, such as in the presence of flammable liquids, gases or dust. *Power tools create sparks which may ignite the dust or fumes.*
- Keep children and bystanders away while operating a power tool. *Distractions can cause you to lose control.*

2. Electrical Safety

- Power tool plugs must match the outlet. Never modify the plug in any way. Do not use any adapter plugs with earthed (grounded) power tools. *Unmodified plugs and matching outlets will reduce risk of electrical shock.*
- Avoid body contact with earthed or grounded surfaces such as pipes, radiators, ranges and refrigerators. *There is an increased risk of electric shock if your body is earthed or grounded.*
- Do not expose power tools to rain or wet conditions. *Water entering a power tool will increase the risk of electric shock.*
- Do not abuse the cord. Never use the cord for carrying or unplugging the power tool. Keep cord away from heat, oil, sharp edges or moving parts. *Damaged or entangled cords increase the risk of electric shock.*
- When operating a power tool outdoors, use an outdoor extension cord suitable for outdoor use. *Use of cord suitable for outdoor use reduces the risk of electric shock.*
- If operating a power tool in a damp location is unavoidable, use a residual current device (RCD) protected supply. *Use of an RCD reduces the risk of electric shock.*

3. Personal Safety

- Stay alert, watch what you are doing and use common sense when operating a power tool. Do not use a power tool while you are tired or under the influence of drugs, alcohol, or medication. *A moment of inattention while operating power tools may result in serious personal injury.*
- Use personal protective equipment. Always wear eye protection. *Protective equipment such as dust mask, non-skid shoes, hard hat or hearing protection used for appropriate conditions will reduce personal injuries.*

- Prevent unintentional starting. Ensure the switch is in the off-position before connecting to power source and/or battery pack, picking up or carrying the tool. *Carrying power tools with your finger on the switch or energizing power tools that have the switch on invites accidents.*
- Remove any adjusting keys or wrench before turning the power tool on. *A wrench or a key that is left attached to a rotating part of the power tool may result in personal injury.*
- Do not overreach. Keep proper footing and balance at all times. *This enables better control of the power tool in unexpected situations.*
- Dress properly. Do not wear loose clothing or jewelry. Keep your hair and clothing away from moving parts. *Loose clothes, jewelry or long hair can be caught in moving parts.*
- If devices are provided for the connection of dust extraction and collection facilities, ensure these are connected and properly used. *Use of dust collection can reduce dust-related hazards.*
- Do not let familiarity gained from frequent use of tools allow you to become complacent and ignore tool safety principles. *A careless action can cause severe injury within a fraction of a second.*
- Always use safety chain. *Mounting can release.*

4. Power Tool Use and Care

- Do not force the power tool. Use the correct power tool for your application. *The correct power tool will do the job better and safer at the rate for which it is designed.*
- Do not use the power tool if the switch does not turn it on or off. *Any power tool that cannot be controlled with the switch is dangerous and must be repaired.*
- Disconnect the plug from the power source and/or remove the battery pack, if detachable, from the power tool before making any adjustments, changing accessories or storing power tools. *Such preventative safety measures reduce the risk of starting the tool accidentally.*
(Continued on page 4)

Save all warnings and instructions for future reference.

IMPORTANT SAFETY INSTRUCTIONS

- d) Store idle power tools out of reach of children and do not allow persons unfamiliar with the power tool or these instructions to operate the power tool. *Power tools are dangerous in the hands of untrained users.*
- e) Maintain power tools and accessories. Check for misalignment or binding of moving parts, breakage of parts and any other condition that may affect the power tool's operation. If damaged, have the power tool repaired before use. *Many accidents are caused by poorly maintained power tools.*
- f) Keep cutting tools sharp and clean. *Proper maintained cutting tools with sharp cutting edges are less likely to bind and are easier to control.*
- g) Use the power tool, accessories and tool bits etc. in accordance with the instructions, taking into account the working conditions and the work to be performed. *Use of the power till for operations different from those intended could result in a hazardous situation.*
- h) Keep handles and grasping surfaces, clean and free from oil and grease. *Slippery handles and grasping surfaces do not allow for safe handling and control of the tool in unexpected situations.*

5. Service

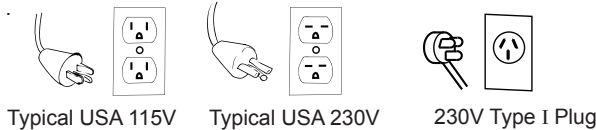
- a) Have your power tool serviced by a qualified repair person using only identical replacement parts. *This will ensure that the safety of the power tool is maintained.*

ADDITIONAL SAFETY INSTRUCTIONS

Safe Electrical Connection

Your Drill is rated for use on 115VAC or 230V at 50-60Hz. Do not attempt to use drill on power sources rated other than this.

Plugs and Receptacles



Wet electrical connections are shock hazards. To prevent the cutting fluid from traveling along the cord and contacting the plug or power outlet, tie a drip loop as shown. Also elevate extension cords or gang box connections.



Extension Cords

Use only 3-wire extension cords that have a 3-prong grounding type plug and 3-pole receptacles that accept the tool's plug. Replace or repair damaged cords. Make sure the conductor size is large enough to prevent excessive voltage drop which will cause loss of power and possible motor damage.

LENGTH OF CORD, FEET	RECOMMENDED WIRE GAUGE	RECOMMENDED WIRE GAUGE
	115V MOTOR 10 - 12 AMPS	230V MOTOR 5 - 6 AMPS
Up to 25	16	18
26 - 50	14	18
51 - 100	10	16
101 - 200	8	14
201 - 300	6	12
301 - 500	4	10

Outdoor Extension Cord Use

When tool is used outdoors, use only extension cords intended for use outdoors and so marked.

Additional Safety Precautions

Arbor and cutter should never be used as a handhold or handle. Keep hands and clothing away from all moving parts. Do not use Houghen Cutters where ejected slug might cause injury (slug ejected at end of cut). Also, adhere to all operating instructions. Do not drill through any surface that may contain live electrical wiring. Drilling into a live wire could cause exposed metal parts of the drill to be made live. Remove chips wrapped around cutter and arbor after each hole. With motor off and power disconnected, grasp chips with leather gloved hand or pliers and pull while rotating counterclockwise. Should the cutter become jammed in the work, stop the unit immediately to prevent personal injury. Disconnect the drill from the power supply and loosen jammed cutter by turning the arbor counterclockwise. Never attempt to free the jammed cutter by starting the motor. Service at authorized repair center only.

Operating Near Welding Equipment

DO NOT operate this unit on the same work surface that welding is being performed on. Severe damage to the unit, particularly the power cord, could occur. This could also result in personal injury to the operator.

Circuit Breaker (If Applicable)

Changing of the circuit breaker to a higher amp rated breaker, or bypassing the circuit breaker is not recommended and will void product warranty.

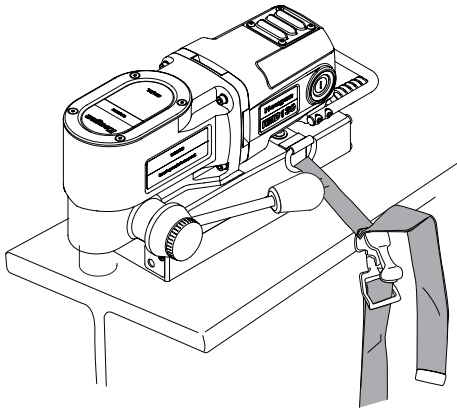
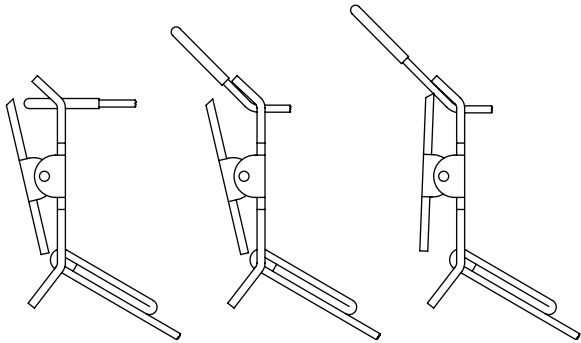
Circuit Breaker Operation (If Applicable)

The circuit breaker is a thermal breaker. When it reaches the higher temperature rating it will trip and cause the unit to shut down. This is a protective device and can be reset after 5 to 10 minutes. To reset the breaker, press the breaker button back in. If it does not reset, let the unit cool a little longer until you can push the button in and it stays in position.

Save all warnings and instructions for future reference.

OPERATING INSTRUCTIONS

1. Place drill on material (at least 3/8" thick) and locate for drilling hole.
2. Press magnet switch to "ON"
3. Thread safety strap through opening between motor and drill housing. Ensure that strap does not interfere with operation of feed handle. Insert tab of strap into buckle. Cinch strap tight to material and drill housing. Check for slack and adjust as needed.



CAUTION:

- Keep strap clear of cutting area, chips, and rough edges on material.
 - Inspect strap periodically for fraying and damage. Do not use a damaged safety strap.
4. Apply liberal amount of cutting fluid or stick lubricant to cutter. Additional lubrication may be required to finish cut.
 5. Make certain that cutter is clear of workpiece and turn motor ON by pressing the motor START button.

6. Feed Cutter slowly into workpiece. Only after cutting path is established to a depth of about 1/16" can additional force be applied to feed handles. Ease up on feed pressure as cutter starts breaking through

CAUTION: Do not over-feed cutter. Excessive feed pressure may cause the magnet to break free from material.

DRILLING MULTIPLE LAYER MATERIALS:

Second layer penetration may be difficult. Slight additional feed pressure may be required (avoid over-feed as noted above).

If unable to penetrate second layer, withdraw cutter from material ejecting slug and clean away any remaining chips. Feed cutter in hole and continue cut.

- Turn motor off when cut is finished.
- Fully retract cutter from material, ejecting the slug.
- Remove safety strap.

7. Turn magnet switch to "OFF" position.

CAUTION: Retain firm hold on drill to prevent dropping.

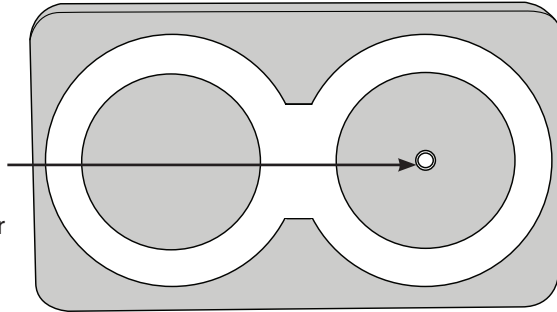
Cutter Inside Diameter may collect chips, restricting depth of cut. Cutter should be frequently inspected and any chips or debris removed.

OPTIONAL FEED METHODS:

- 1/2" Box Wrench
- Ratchet with 1/2" Socket
- NO PLIERS OR OPEN END WRENCH (They will damage feed handle mounting surfaces)

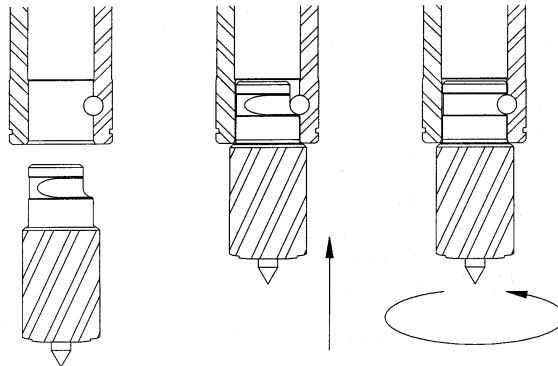
SAFETY SWITCH

NOTE: The Safety Switch located in the base of the unit shuts off the motor when the unit lifts. The magnet will stay engaged until you turn off the magnet. It is important to keep this area clean and free from chips. Periodically check this switch for proper function and if for some reason it is not working properly, send the unit to an authorized repair center for service.

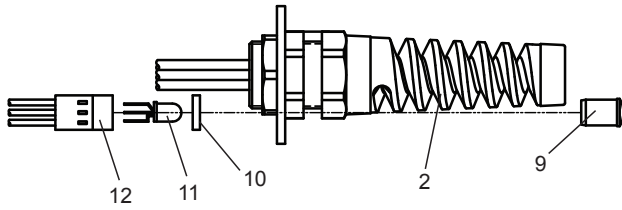
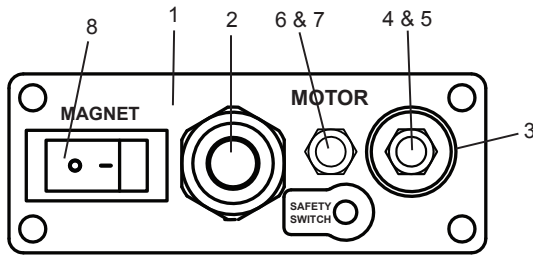


ROTALOC PLUS™ CUTTER INSTALLATION

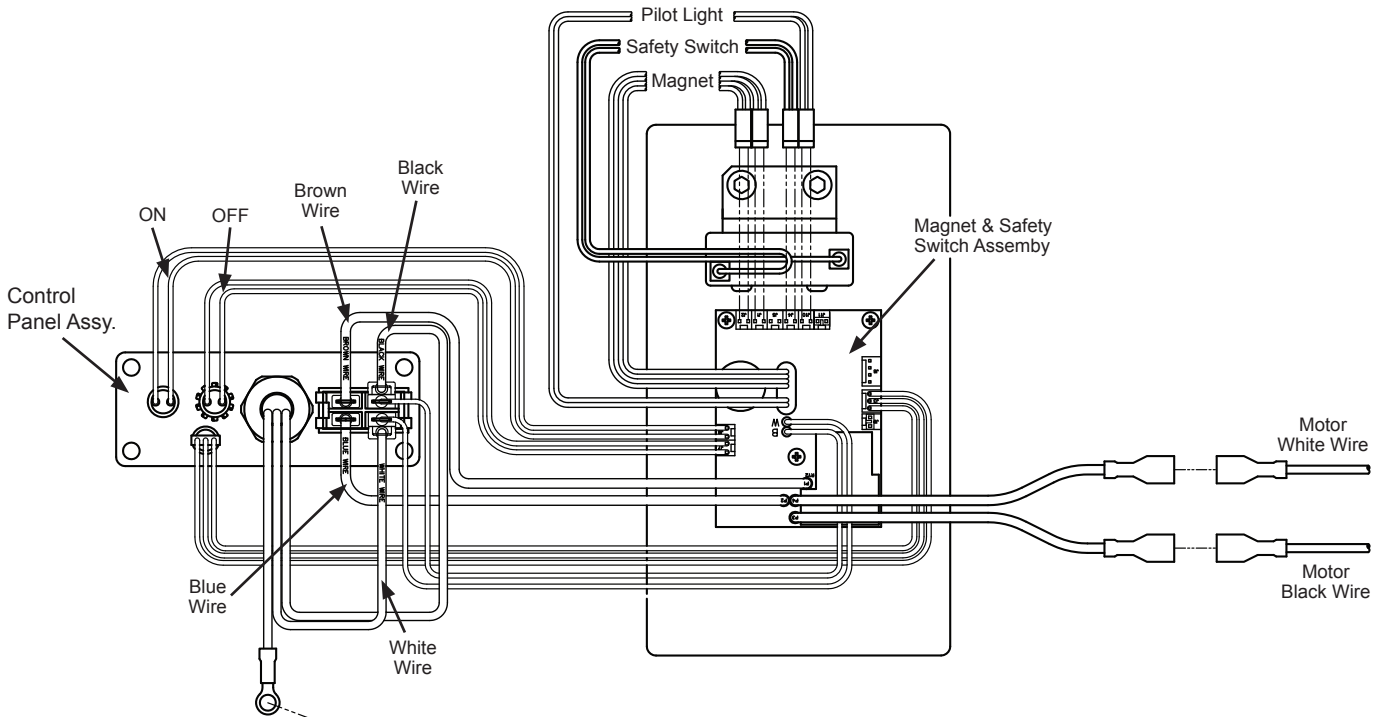
1. Disconnect machine from power source.
2. Insert pilot into cutter.
3. Align flat on shank with pin in spindle.
4. Insert cutter into spindle.
5. Give cutter 1/4 turn in opposite direction of flutes.



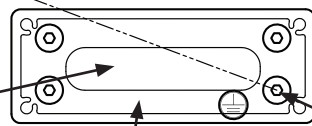
CONTROL PANEL ASSEMBLY



08836 Control Panel Assembly			
Item	Part #	Description	Qty
1	08829	Faceplate	1
2	90571	Power Cord Assy	1
3	08831	Guard - Switch	1
4	08832	Switch - Motor On	1
5	08834	Cover - Switch Green	1
6	08833	Switch - Motor Off	1
7	08835	Cover - Switch Red	1
8	08830	Switch - Rocker, Illuminated	1
9	04879	Lens - LED	1
10	04878	Spacer - LED	1
11	04881	Bulb - LED	1
12	04877	Wire Harness	1

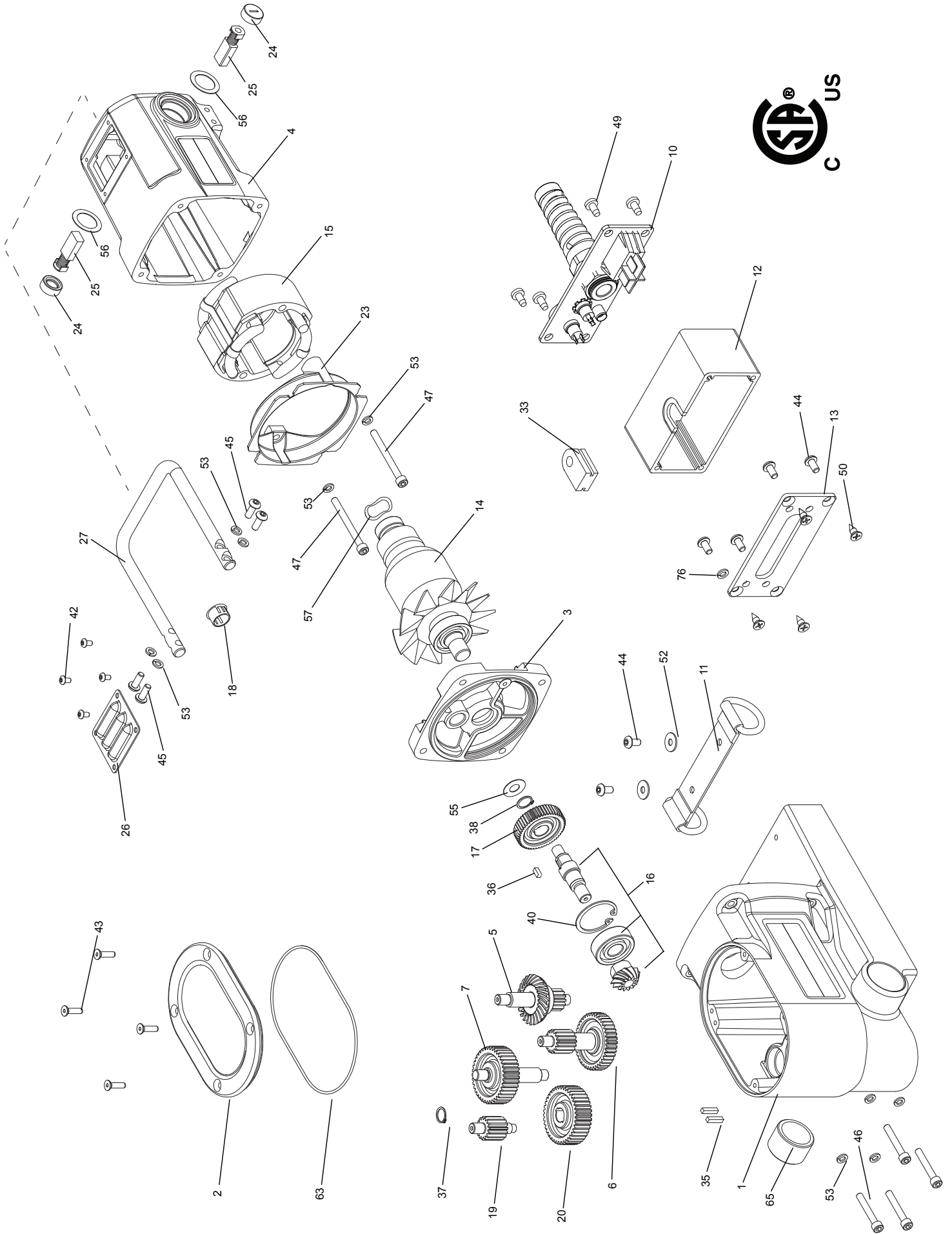


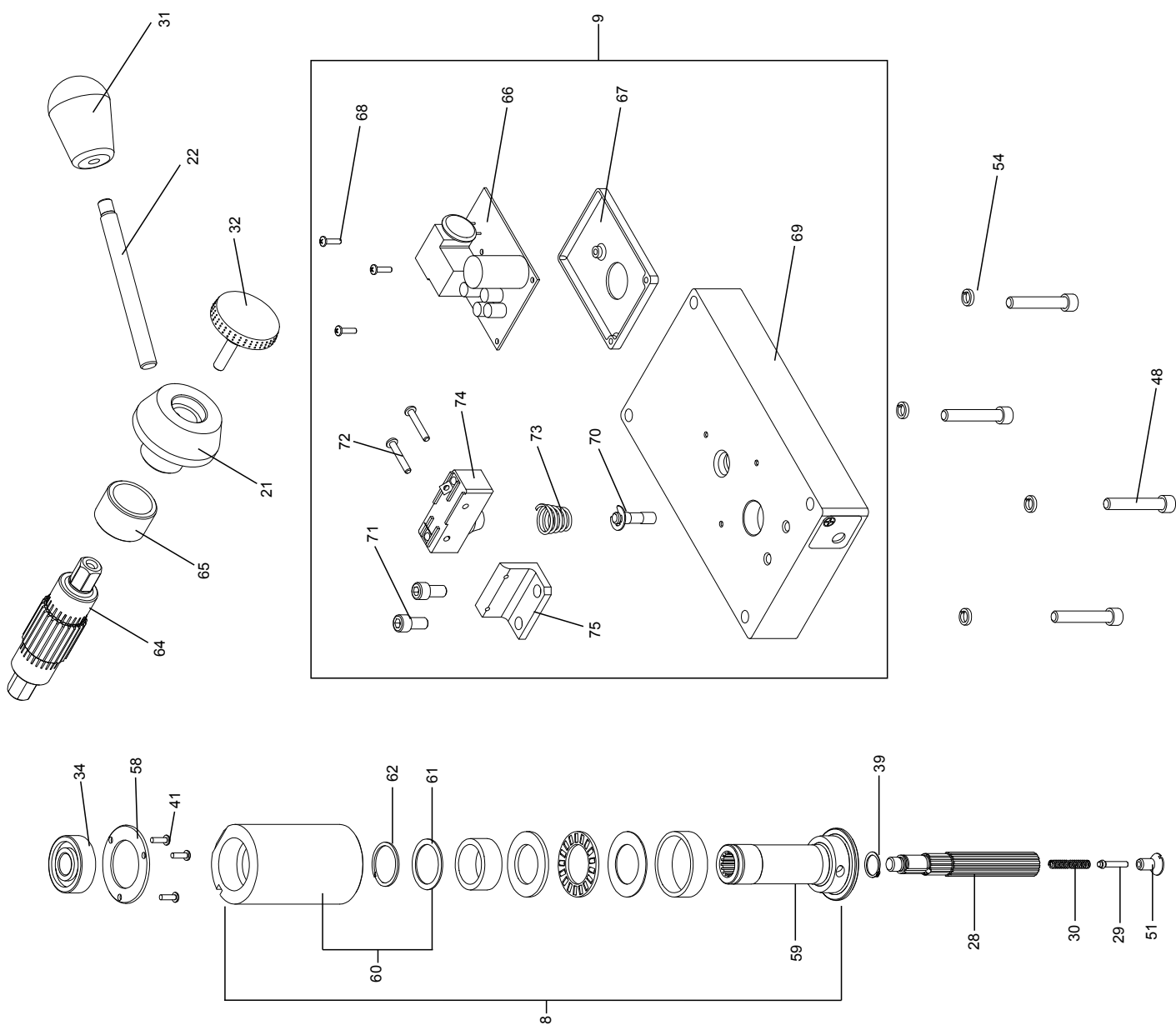
**** Route wires through slot in back of electrical box**



Electrical Box Back Plate

Attach Green Ground Wires to #10-32 x 3/8 LG BHC SCR





HMD130 PARTS LIST

Item #	Part #	Description	Qty
1	09514	Drill Housing & Label Assy	1
2	09513	Gear Box Cap	1
3	08428	Gear Box Cover	1
4	08429	Motor Housing Assy	1
5	09516	Gear Assy, 24 & 14 Tooth	1
6	09517	Gear Assy, 39 & 15 Tooth	1
7	09518	Gear Assy, 39 Tooth	1
8	08433	Quill & Arbor Assy	1
9	08434	Magnet / Switch Assy	1
10	08435	Control Panel Assy	1
11	08436	Safety Strap	1
12	08827	Housing, Electrical Box	1
13	08828	Backplate	1
14	17630	Armature	1
15	08439	Field	1
16	08605	Spindle Assy.	1
17	08441	Spur Gear #2 - 50 Tooth	1
18	07216	Hole Plug	1
19	09520	Spur Gear #7 - 15 Tooth, 24 PD	1
20	08444	Spur Gear #8 - 40 Tooth, 24 PD	1
21	08445	Feed Hub	1
22	08511	Feed Handle .370 x 4.0	1
	08512	Feed Handle .370 x 2.5	1
23	07846	Baffle	1
24	17622	Cap - Brush Holder	2
25	17621	Carbon Brush	1
26	07848	Cover, Brush Access	1
27	08447	Handle	1
28	09519	Spline Shift	1
29	08513	Plunger	1
30	17492	Spring - Comp, ϕ .18 x 1.0 FL	1
31	17021	Knob - Oval	1
32	08449	Knob - Rubber Grip	1
33	08674	Grommet - Vibration	1
34	17270	Bearing	2
35	17277	Key - 1/8 SQ x .53 LG	2
36	08451	Key - 1/8 SQ x 5/32 LG	1
37	08456	Ring - Retaining .406 Shaft	1
38	08452	Ring - Retaining 7/16 Shaft	1

Item#	Part #	Description	Qty
39	17475	Ring - Retaining 12mm shaft	1
40	08453	Ring - Retaining, Int 1.259 Bore	1
41	04718	SCR PAN HD #4-40 x 3/8 LG	3
42	02385	SCR BHC #6-32 x 1/4	4
43	90448	SCR FHC #8-32 x 5/8 LG	4
44	41044	SCR BHC #10-32 x 3/8 LG	6
45	90077	SCR BHC #10-32 x 1/2 LG	4
46	51044	SCR SHC #10-32 x 1-1/4	4
47	07849	SCR SHC #10-32 x 2 LG	2
48	40078	SCR SHC 1/4-20 x 1-1/2 LG	4
49	24081	SCR Self Tap Pan HD #10 x 3/8	4
50	17459	SCR FHC - Tapping #10 x 1/2	4
51	17493	SCR FHC - Altered 1/4-28	1
52	90237	Washer - Flat #10	2
53	50038	Washer - Lock Helical #10	10
54	04721	Washer - Lock 1/4 Hi-Collar	4
55	17610	Washer - Flat 8mm	1
56	17632	Washer - Fiber	2
57	08000	Washer - Spring	1
58	08454	Washer - Bearing Retainer	1
59	08481	Arbor Assy	1
60	08482	Quill Assy	1
61	08483	Washer - Thrust	1
62	24164	Ring - Retaining	1
63	08467	O-Ring	1
64	08463	Gear - Feed 24 Tooth 1.00 PD	1
65	40231	Bronze Bushing	1
66	08646	Circuit Board - 115V	1
67	08493	Spacer - Circuit Board	1
68	08494	SCR - PAN HD #4-40 x 7/16	3
69	08491	Magnet - Winding Assy	1
70	08492	Plunger Assy	1
71	10971	SCR SHC 1/4-20 x 1/2	2
72	10972	SCR BHC 6-32 x 7/8	2
73	17271	Spring	1
74	04885	Safety Switch Assy	1
75	04909	Bracket - Safety Switch	1
76	10560	Lock Washer	1

ROTALOC PLUS™ CUTTERS FOR THE HMD130

The RotaLoc Plus™ cutters are made specifically for the HMD130. They are equipped with 5/8" tool-less Bayonet-style twist and lock shank, 1" D.O.C. stack cut cutter. They are made of premium M42 high speed steel and available in diameters from 7/16" to 1-3/8" and 12mm to 35mm.

Rotaloc Plus™ Cutters 1" D.O.C.

Use with Pilot Pin 17810			
17814	7/16"	17900	12mm
17816	1/2"	17902	13mm
17818	9/16"	17904	14mm
17820	5/8"	17906	15mm
17822	11/16"	17908	16mm
17824	3/4"	17910	17mm
17826	13/16"	17912	18mm
17828	7/8"	17914	19mm
17830	15/16"	17916	20mm
17832	1"	17918	21mm
17834	1-1/16"	17920	22mm
17836	1-1/8"	17922	23mm
17838	1-3/16"	17924	24mm
17840	1-1/4"	17925	24.5mm
17842	1-5/16"	17926	25mm
17844	1-3/8"	17928	26mm
		17930	27mm
		17932	28mm
		17934	29mm
		17936	30mm
		17938	31mm
		17940	32mm
		17942	33mm
		17944	34mm
		17946	35mm

Rotaloc Plus™ Cutter Kits 1" D.O.C.

Part #	Description
17802	Kit contains (3) Cutters, 1" D.O.C. - 1/2", 5/8", 3/4" dia. plus (2) pilots in a sturdy plastic case
17803	Kit contains (3) Cutters, 1" D.O.C. - 9/16", 11/16", 13/16" dia. plus (3) Pilots in a plastic carrying case
17805	Kit contain (3) cutters, 1" D.O.C. -14mm, 16mm, 18mm dia. plus (3) pilots in a plastic carrying case.

COMMERCIAL / INDUSTRIAL LIMITED WARRANTY

Hougen Manufacturing, Inc. warrants its Portable Magnetic Drills, Trak-Star Rail Drills, Hydraulic Rail Saw and Tornado II Paint Shakers for two (2) years, Electro-Hydraulic Hole Punchers for one (1) year, and it's Husqvarna Saw and other products for ninety (90) days from date of purchase against defects due to faulty material or workmanship and will repair or replace (at its option) without charge any items returned. This warranty is void if the item has been damaged by accident or unreasonable use, neglect, improper service, or other causes not arising out of defects in material or workmanship. No other expressed warranty is given or authorized. Hougen Manufacturing, Inc. disclaims any implied warranty of Merchantability or fitness for any period beyond the expressed warranty and shall not be liable for incidental or consequential damages. Some states do not allow exclusion of incidental or consequential damages or limitation on how long an implied warranty lasts and, if the law of such a state governs your purchase, the above exclusion and limitation may not apply to you. This warranty gives you specific legal rights and you may also have other rights which vary from state to state.

To obtain warranty service, return the item(s), transportation prepaid to your nearest Factory Authorized Warranty Service Center, or to Hougen Manufacturing, Inc., 3001 Hougen Drive, Swartz Creek, MI 48473.

This warranty is in lieu of any other warranty, expressed or implied, including any warranty of merchantability or fitness for a particular purpose.

Photographs and Specifications shown are accurate in detail at time of printing. Manufacturer reserves the right to make improvements and modifications without prior notice. Hougen, Rotabroach, and Hougen-Edge are proprietary trademarks of Hougen Manufacturing Inc.

HOUGEN AUTHORIZED WARRANTY REPAIR CENTERS

Hougen Authorized Warranty Repair Centers have been factory trained to properly service and repair Hougen Portable Magnetics Drills. To locate an Authorized Warranty Repair Centers near you, please visit:

www.hougen.com



Hougen Manufacturing, Inc.
P.O. Box 2005 • Flint, MI 48501-2005
3001 Hougen Drive • Swartz Creek, MI 48473
Phone (810) 635-7111 • Fax (810) 635-8277
www.hougen.com • info@hougen.com

© 2023 Hougen Manufacturing, Inc.





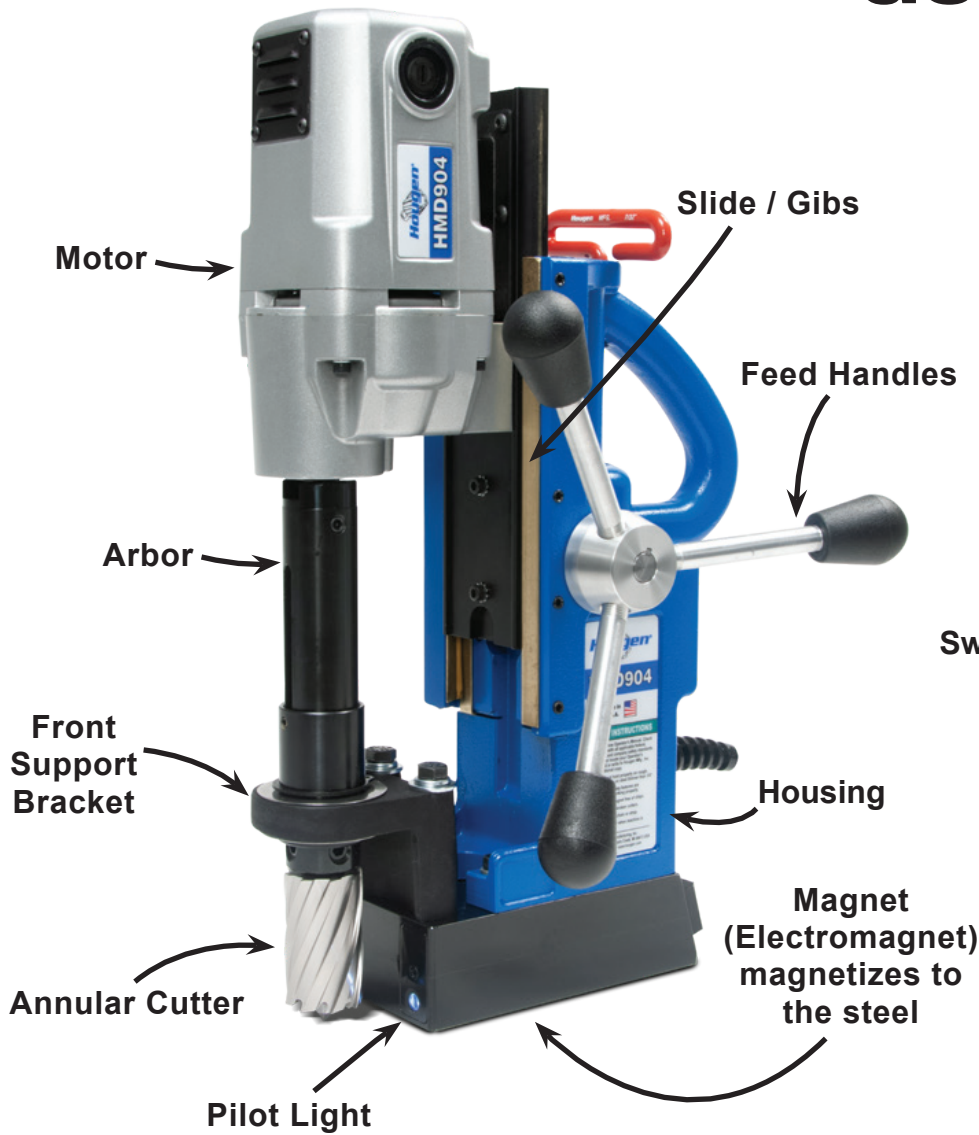

Hougen[®]

SAFE OPERATION FOR MAGNETIC DRILLS

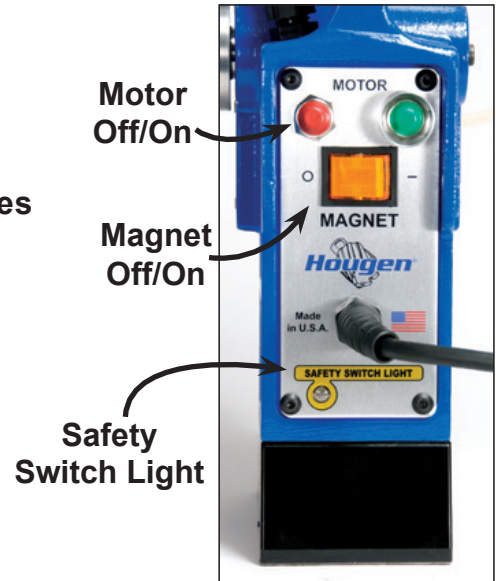
***A General Guide for Safe
Operating Procedures***



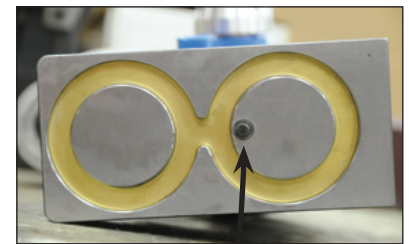
General Parts



Typical Control Panel



Bottom of Magnet



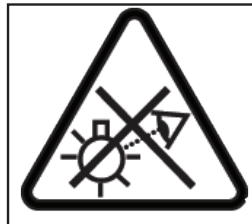
SAFETY FIRST



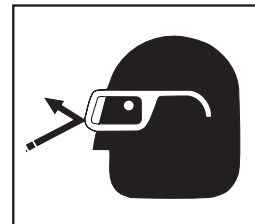
Cutters are sharp. Wear gloves when installing or removing cutter from arbor. Do not grab a rotating cutter.



To prevent electric shock, do not use power tools near wet areas, or where power tool may become wet.



Do not stare at operating light.



Always wear eye protection while using cutting tools, or in the vicinity of cutting.



The slug is ejected at the end of the cut. Do not aim cutter or arbor so that ejected slug may hit someone around, or below you.

A magnetic drill can be a very useful tool for holemaking. Please read and follow all safety procedures outlined in your operator's manual and according to company policy.

IMPORTANT SAFETY INSTRUCTIONS



WARNING: Read all safety warnings, instructions, illustrations and specifications provided with this power tool. Failure to follow all instructions listed below may result in electric shock, fire and/or serious injury.

1. Work Area Safety

- a) Keep your work area clean and well lit. *Cluttered or dark areas invite accidents.*
- b) Do not operate power tools in explosive atmospheres, such as in the presence of flammable liquids, gases or dust. *Power tools create sparks which may ignite the dust or fumes.*
- c) Keep children and bystanders away while operating a power tool. *Distractions can cause you to lose control.*

2. Electrical Safety

- a) Power tool plugs must match the outlet. Never modify the plug in any way. Do not use any adapter plugs with earthed (grounded) power tools. *Unmodified plugs and matching outlets will reduce risk of electrical shock.*
- b) Avoid body contact with earthed or grounded surfaces such as pipes, radiators, ranges and refrigerators. *There is an increased risk of electric shock if your body is earthed or grounded.*
- c) Don't expose power tools to rain or wet conditions. *Water entering a power tool will increase the risk of electric shock.*
- d) Do not abuse the cord. Never use the cord for carrying or unplugging the power tool. Keep cord away from heat, oil, sharp edges or moving parts. *Damaged or entangled cords increase the risk of electric shock.*
- e) When operating a power tool outdoors, use an outdoor extension cord suitable for outdoor use. *Use of a cord suitable for outdoor use reduces the risk of electric shock.*
- f) If operating a power tool in a damp location is unavoidable, use a residual current device (RCD) protected supply. *Use of an RCD reduces the risk of electric shock.*

3. Personal Safety

- a) Stay alert, watch what you are doing and use common sense when operating a power tool. Do not use a power tool while you are tired or under the influence of drugs, alcohol, or medication. *A moment of inattention while operating power tools may result in serious personal injury.*
- b) Use personal protective equipment. Always wear eye protection. *Protective equipment such as dust mask, non-skid shoes, hard hat or hearing protection used for appropriate conditions will reduce personal injuries.*

- c) Prevent unintentional starting. Ensure the switch is in the off-position before connecting to power source and/or battery pack, picking up or carrying the tool. *Carrying power tools with your finger on the switch or energizing power tools that have the switch on invites accidents.*
- d) Remove any adjusting keys or wrenches before turning the power tool on. *A wrench or a key that is left attached to a rotating part of the power tool may result in personal injury.*
- e) Do not overreach. Keep proper footing and balance at all times. *This enables better control of the power tool in unexpected situations.*
- f) Dress properly. Do not wear loose clothing or jewelry. Keep your hair and clothing away from moving parts. *Loose clothes, jewelry or long hair can be caught in moving parts.*
- g) If devices are provided for the connection of dust extraction and collection facilities, ensure these are connected and properly used. *Use of dust collection can reduce dust-related hazards.*
- h) Do not let familiarity gained from frequent use of tools allow you to become complacent and ignore tool safety principles. *A careless action can cause severe injury within a fraction of a second.*
- i) Always use a safety chain. *Mounting can release.*

4. Power Tool Use and Care

- a) Do not force the power tool. Use the correct power tool for your application. *The correct power tool will do the job better and safer at the rate for which it is designed.*
- b) Do not use the power tool if the switch does not turn it on or off. *Any power tool that cannot be controlled with the switch is dangerous and must be repaired.*
- c) Disconnect the plug from the power source and/or remove the battery pack, if detachable, from the power tool before making any adjustments, changing accessories or storing power tools. *Such preventative safety measures reduce the risk of starting the tool accidentally.*

(Continued on page 4)

Save all warnings and instructions for future reference.



IMPORTANT SAFETY INSTRUCTIONS

- d) Store idle power tools out of the reach of children and do not allow persons unfamiliar with the power tool or these instructions to operate the power tool. *Power tools are dangerous in the hands of untrained users.*
- e) Maintain power tools and accessories. Check for misalignment or binding of moving parts, breakage of parts and any other condition that may affect the power tool's operation. If damaged, have the power tool repaired before use. *Many accidents are caused by poorly maintained power tools.*
- f) Keep cutting tools sharp and clean. *Properly maintained cutting tools with sharp cutting edges are less likely to bind and are easier to control.*
- g) Use the power tool, accessories and tool bits etc. in accordance with the instructions, taking into account the working conditions and the work to be performed. *Use of the power tool for operations different from those intended could result in a hazardous situation.*
- h) Keep handles and grasping surfaces, clean and free from oil and grease. *Slippery handles and grasping surfaces do not allow for safe handling and control of the tool in unexpected situations.*

5. Service

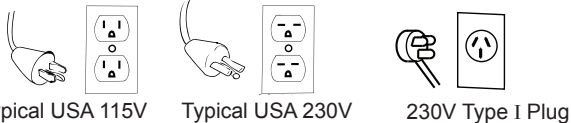
- a) Have your power tool serviced by a qualified repair person using only identical replacement parts. *This will ensure that the safety of the power tool is maintained.*

ADDITIONAL SAFETY INSTRUCTIONS

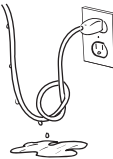
Safe Electrical Connection

Your Drill is rated for use on 115VAC or 230V at 50-60Hz. Do not attempt to use the drill on power sources rated other than this.

Plugs and Receptacles



Wet electrical connections are shock hazards. To prevent the cutting fluid from traveling along the cord and contacting the plug or power outlet, tie a drip loop as shown. Also elevate extension cords or gang box connections.



Extension Cords

Use only 3-wire extension cords that have a 3-prong grounding type plug and 3-pole receptacles that accept the tool's plug. Replace or repair damaged cords. Make sure the conductor size is large enough to prevent excessive voltage drop which will cause loss of power and possible motor damage.

LENGTH OF CORD, FEET	RECOMMENDED WIRE GAUGE	RECOMMENDED WIRE GAUGE
	115V MOTOR 10 - 12 AMPS	230V MOTOR 5 - 6 AMPS
Up to 25	16	18
26 - 50	14	18
51 - 100	10	16
101 - 200	8	14
201 - 300	6	12
301 - 500	4	10

Outdoor Extension Cord Use

When a tool is used outdoors, use only extension cords intended for use outdoors and so marked.

Additional Safety Precautions

The Arbor and cutter should never be used as a handhold or handle. Keep hands and clothing away from all moving parts. Do not use Houghen Cutters where ejected slug might cause injury (slug ejected at end of cut). Also, adhere to all operating instructions. Do not drill through any surface that may contain live electrical wiring. Drilling into a live wire could cause exposed metal parts of the drill to be made live. Remove chips wrapped around the cutter and arbor after each hole. With the motor off and power disconnected, grasp chips with leather gloved hand or pliers and pull while rotating counterclockwise. Should the cutter become jammed in the work, stop the unit immediately to prevent personal injury. Disconnect the drill from the power supply and loosen the jammed cutter by turning the arbor counterclockwise. Never attempt to free the jammed cutter by starting the motor. Service at an authorized repair center only.

Operating Near Welding Equipment

DO NOT operate this unit on the same work surface that welding is being performed on. Severe damage to the unit, particularly the power cord, could occur. This could also result in personal injury to the operator.

Circuit Breaker (If Applicable)

Changing of the circuit breaker to a higher amp rated breaker, or bypassing the circuit breaker is not recommended and will void the product warranty.

Circuit Breaker Operation (If Applicable)

The circuit breaker is a thermal breaker. When it reaches the higher temperature rating it will trip and cause the unit to shut down. This is a protective device and can be reset after 5 to 10 minutes. To reset the breaker, press the breaker button back in. If it does not reset, let the unit cool a little longer until you can push the button in and it stays in position.

Save all warnings and instructions for future reference.

SAFETY CHAIN INSTRUCTIONS

A safety chain should **ALWAYS** be used whenever operating the drill.

The safety chain prevents the drill unit from falling, in the event of a power failure or if the magnet breaks loose from the work surface. The safety chain attaches to the drill by running the chain thru the D-Ring on the back of the unit and then continuing around the material and/or work surface. Adjust the chain so it is tight and secure.



CONTROL PANEL OPERATION



TYPICAL
CONTROL PANEL

IMPORTANT: Before turning on the machine, it is important that the operator understands the interrelated functions of the SAFETY SWITCH, MAGNET SWITCH, AND MOTOR SWITCHES. *READ SAFETY SWITCH INDICATOR LIGHT INSTRUCTIONS.*

SAFETY SWITCH — Located in base of drill. Enables motor operation only when magnet is properly seated on a clean and flat work surface. Turns motor off if switch detects lift of unit. (See page 2 for location of safety switch)

MAGNET ON/OFF SWITCH — Energizes and De-energizes the magnetic base and activates the safety switch. Motor can now be started by pushing the motor START switch.

MOTOR START/STOP SWITCHES — Starts and stops the motor.

1. Place Magnetic Drill on clean, flat steel plate that is at least 3/8" thick.
2. Plug unit into proper AC power source. **DO NOT use with DC Power.**
3. Locate the Magnet ON and OFF switch and the motor STOP and START switch.
4. **NOTE: A loss of power will de-energize the magnetic base and deactivate the motor. When power is restored, the magnet will re-energize, however, the motor START switch must be depressed before the motor will start.**

SAFETY SWITCH INDICATOR LIGHT

***** SAFETY SWITCH LIGHT WILL COME ON AND REMAIN ON WHILE DRILL IS PLUGGED IN *****

The Safety Switch Indicator Light is a Standard Safety Feature on Hougen portable magnetic drills. Its purpose is to inform the user that the lift detector switch is activated.

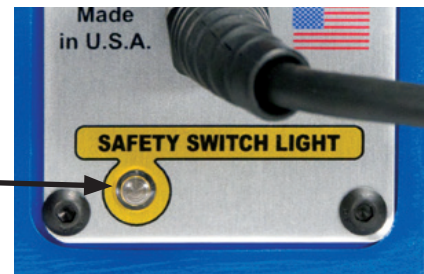
If light is Green:

In normal operation the safety switch light will be green. Motor "On" and "Off" Switches function normally.

If light is Red:

A condition with the safety switch exists that needs to be corrected. Possible causes:

- Safety Switch is defective. Have drill serviced.
- Uneven work surface or material. Check work surface for flatness.
- Dirt or chips under magnet. Clean work surface.



CONTROL PANEL SWITCH PLATE

Testing Safety Switch:

Before operating the drill always test the safety switch. To test switch... place drill on work surface and plug into the outlet. Rock drill so magnet lifts off work surface. Safety Switch Light should change from green to red. If light stays green or red, a problem exists with the safety switch that must be corrected. (ie... safety switch defective, safety plunger in the base of magnet is stuck in position, etc) Please correct and retest before operating drill.

Material must be a least 3/8" thick. Material thinner than 3/8" will cause a "weak" magnet condition. HOUGEN MANUFACTURING RECOMMENDS THAT CONDITIONS ARE CORRECTED SO LIGHT IS GREEN. THIS ALLOWS FOR THE UNIT TO BE OPERATED IN A SAFE MANNER.

For any questions please contact Hougen Manufacturing's Technical Service at (810) 635-7111.

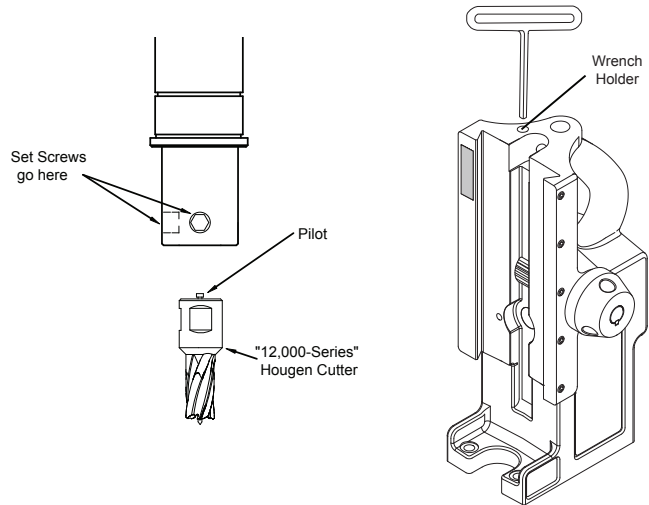
PILOT LIGHT SWITCH

The Pilot Light is a Standard Feature on Hougen portable magnetic drills. Its purpose is to illuminate the work surface area for easier viewing of the pilot.



INSTALLING THE HOUGEN CUTTER IN THE ARBOR

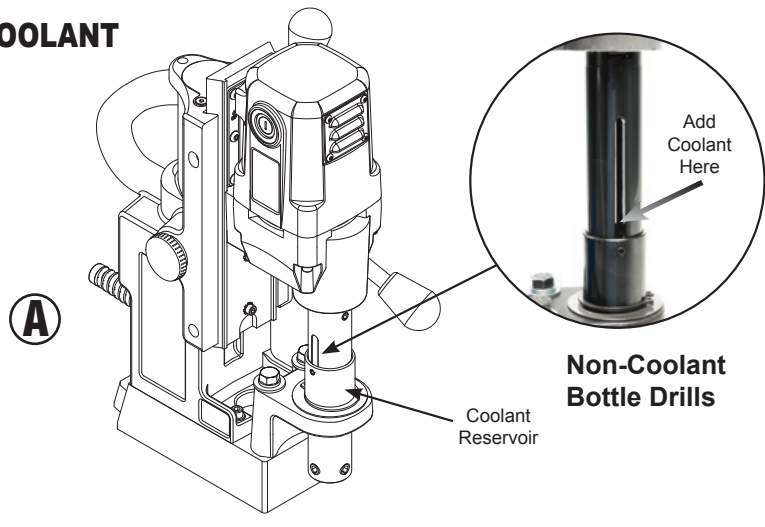
1. Disconnect from the power source and remove T-Handle wrench from holder at top of drill.
2. Lay drill on its side with the feed handles up or be sure the Arbor clears table if unit is in normal operating position.
3. Turn the Feed Handles until the cutter mounting set screws are exposed and completely remove the set screws.
4. Insert proper pilot in shank end of the Hougen Cutter.
5. Insert the Hougen Cutter until the flat on the cutter shank is aligned with the set screw holes and is exactly perpendicular to axis of the set screw holes.
6. Insert the set screws and tighten. Check to be certain that the cutter is secure.



OPERATION OF THE CUTTING FLUID RESERVOIR

FOR BEST RESULTS ALWAYS USE COOLANT

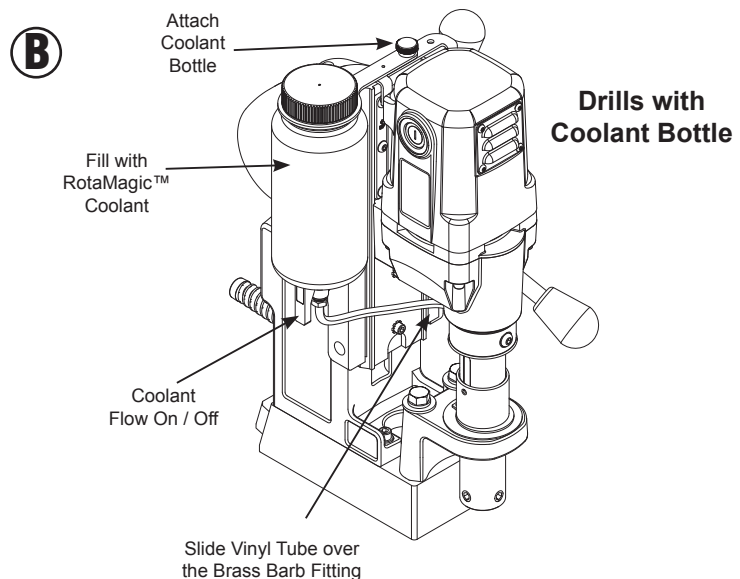
1. With Magnetic Drill in the operating position, turn the feed handles so that the cutter and pilot are above the work surface.
2. With the magnet turned ON & motor OFF,
 - A) For non-coolant bottle drills... fill the arbor reservoir by introducing RotaMagic™ cutting fluid through the slots in Arbor. **Cutting fluid should not leak out.**
 - B) For drills with a Coolant bottle... attach the coolant bottle per diagram and fill with coolant.
3. Test metering capabilities of the Arbor/Cutter/Pilot assembly (magnet ON - motor OFF) by feeding the Arbor gently toward the work surface until the pilot is pushed up into the Cutter, thus allowing fluid to filter down onto the work surface through the groove in the pilot.



Non-Coolant Bottle Drills.....

4. For proper lubrication, all fluid in the reservoir should empty onto the work surface in no less than 15 seconds and no longer than 30 seconds.
5. The Arbor Reservoir holds enough coolant for cutting approximately one hole.

* This method of using coolant can also be used for an attached coolant bottle if the bottle is lost.
6. For drills with a coolant bottle, use the coolant bottle on/off lever to adjust the flow of the coolant.
7. For horizontal or drilling overhead holes, use Slick-Stik™ Lubricant.



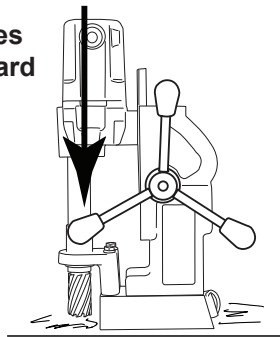
OPERATING INSTRUCTIONS

Always remember that the magnet's holding power is directly related to the workpiece thickness and surface condition. Since magnetic attraction diminishes with thinner material or rough surfaces, mechanical clamping of drill unit to the workpiece should be used when cutting thin material (3/8" or less) or material with uneven surfaces.

1. Make sure the workpiece and bottom of the magnet are free of chips, oil, etc.
2. Verify that the Safety Switch works properly (See Safety Switch Indicator Light Section)
3. Position the drill by sliding it and gently feeding the Arbor so that pilot point is touching the center of hole to be drilled.
4. **Secure the unit to the workpiece with a safety chain.**
5. Turn the magnet "ON" by pressing the magnet ON switch.
6. Turn the Feed Handle, raising the cutter until the pilot is above the work surface.
7. Fill the coolant reservoir or fill the attached coolant bottle if applicable.
8. Make certain that the cutter is clear of the workpiece and turn the motor "ON" by pressing the motor START switch.
9. Feed the Hougén Cutter slowly into the workpiece. Only after a cutting path is established to a depth of about 1/16" can the full force be applied to the feed handles.
10. Ease up on the feed pressure as the cutter starts breaking through.
11. At the conclusion of cut, turn the motor "OFF" by pressing the motor STOP switch. Turn the Feed Handles to raise the Arbor thereby ejecting the slug, if it hasn't already fallen free.
12. Turn the magnet "OFF" by pressing the magnet OFF switch.
13. **Disconnect from the power source.**
14. If necessary, remove the chips from the cutter and magnet, preferably wearing leather work gloves and/or with pliers. Disconnect the safety chain and you are ready to move the unit to the new drilling position.

When drilling, especially in horizontal or overhead positions, always apply feed pressure toward the work surface. Never pull away from the work surface as this can weaken the magnetic holding power.

**Use handles
to feed toward
the work
surface**



**Never pull
handles away
from the work
surface**



MAINTENANCE

In order to minimize wear on moving parts and to insure smoother operation and longer life for your magnetic drill, the following maintenance should be done periodically, based on use.

1. Regularly tighten all fasteners and replace all worn parts.
2. Check the motor brushes and replace if worn.
3. Check the power cord and cord from panel to motor and, if cracked or frayed, return to an authorized repair center for replacement.
4. Apply grease to the slide dovetails, brass gibs, and the feed gear rack. For best results use Shell Cyprina-RA or equivalent.
5. Remove the arbor and pack the bearing in the front support bracket with grease. Use Shell Cyprina-RA or equivalent.
6. The safety switch plunger should be cleaned and lubricated with penetrating oil periodically. As necessary remove the magnet from the drill and remove the safety switch assembly from magnet. Push the plunger out of the magnet. Clean out any debris from inside and around the plunger hole in the magnet. Coat the plunger with anti-seize. Replace the plunger and the safety switch assembly and tighten down the screws. Replace the magnet onto the drill housing.



HINTS FOR SMOOTHER OPERATION

1. Keep the inside of the Hougen Cutter clear of chips. Chips will interfere with cutting to maximum depth, maybe impede the free oil flow and can cause cutter breakage.
2. Keep the work, machine, arbor and the Hougen Cutter free of chips and dirt.
3. Tighten all bolts and fasteners regularly.
4. We highly recommend using a light viscosity cutting fluid (preferably Hougen Cutting Fluid).
5. Occasionally check metering of cutting fluid flow. Lack of cutting fluid may cause the Hougen Cutter to freeze in the cut, slug to stick and may result in poor cutter life.
6. Always start the cut with light feed pressure and then increase sufficiently to achieve the maximum cutting rate.
7. Ease off on the pressure as the cutter begins to break through at the end of the cut.
8. Keep the slide dovetails, brass gibs and feed rack lubricated and free from chips and dirt.
9. When the slug hangs up in cutter, turn off the motor and bring the cutter down on a flat surface. This will normally straighten a cocked slug, allowing it to be ejected.
10. When cutting large diameter or deep holes it may be necessary to stop in the middle of the cut to add cutting fluid and remove the chips from around the arbor. (When doing this **DO NOT** raise the cutter out of the hole. Doing so can allow chips to get under the teeth of the cutter. This will make it difficult to restart the cut.)

#1 cause of cutter breakage and prematurely dull teeth is too little feed pressure

"Babying" the cutter through the cut will only decrease tool life.

***When in Doubt, Give Us a Call...
We'll be Happy to Help!***

**(810) 635-7111
tech@hougen.com**



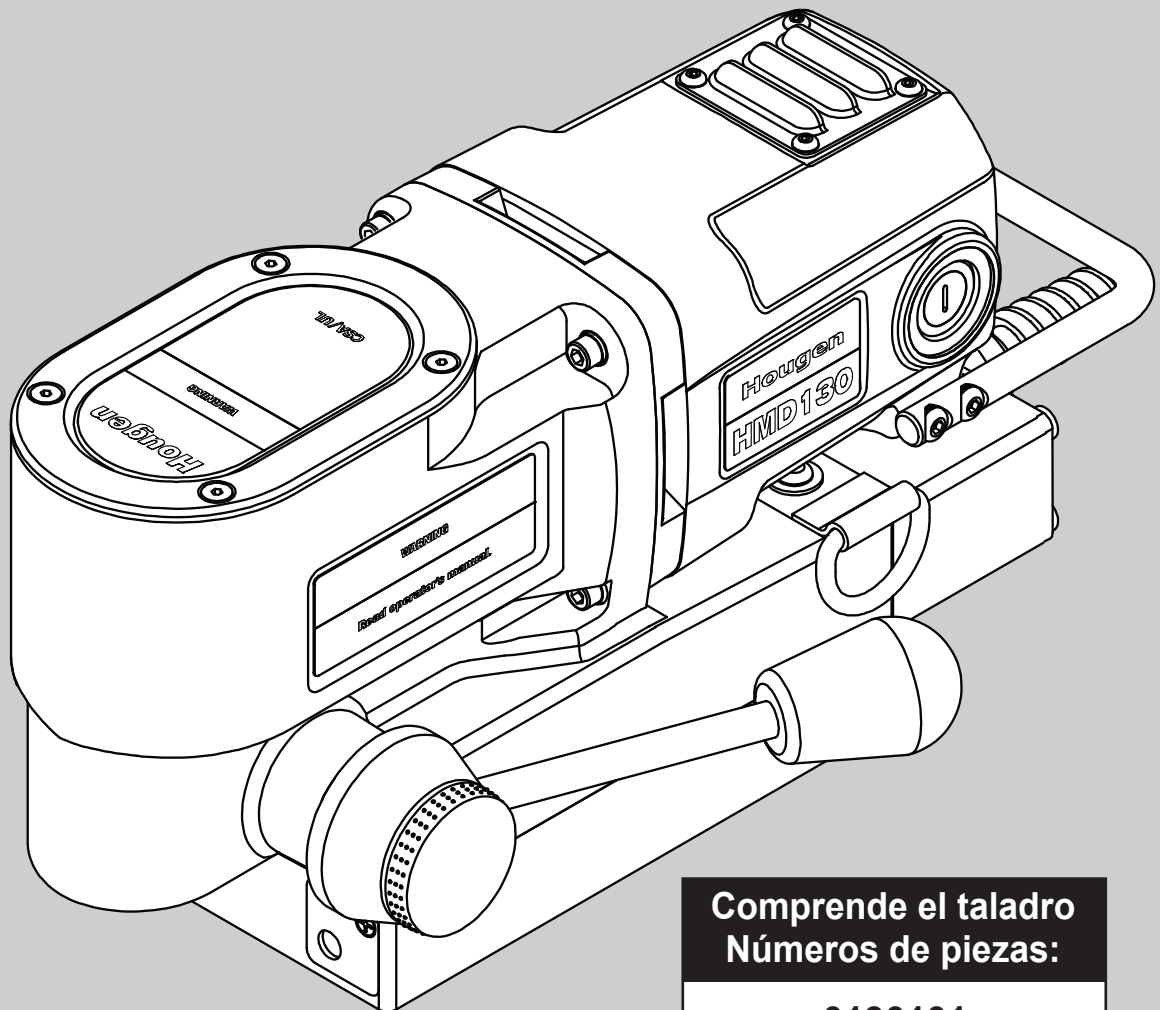
HOUGEN MANUFACTURING, INC.

3001 Hougen Drive • Swartz Creek, MI 48473 USA
Ph: (810) 635-7111 • Fax: (810) 635-8277
info@hougen.com • www.hougen.com



MANUAL DEL OPERADOR

TALADRO MAGNÉTICO PORTÁTIL DE LA SERIE HMD130



Comprende el taladro
Números de piezas:

0130101

PARA USAR CON CORTADORES ANULARES ROTALOC PLUS[™]

Español

TALADRO MAGNÉTICO PORTÁTIL DE HOUGEN® MODELO DE LA SERIE HMD130

Bienvenido a Hougen

Felicitaciones por la compra del taladro magnético portátil de Hougen®. El modelo que ha elegido está diseñado para abrir orificios con la mayor calidad, rapidez y eficiencia. Mediante la innovación y el desarrollo constantes, Hougen está plenamente comprometido con la tarea de ofrecer productos y herramientas de perforación que le permitan mejorar su productividad.

Antes de comenzar a utilizar el taladro magnético portátil, lea todas las instrucciones. Esto incluye el Manual del operador y la etiqueta de advertencia adherida a la unidad. Con el uso, cuidado y mantenimiento adecuados, este modelo le garantizará los mejores resultados en la perforación de orificios durante años. Una vez más, le agradecemos que haya elegido nuestro producto y le damos la bienvenida a Hougen.

Especificaciones

Tipo de cortador anular.....RotaLoc Plus
Capacidad de perforación.....1/2-" to 1-3/8" or 12mm to 35mm
Profundidad de corte.....1" or 25mm
Motor.....450 RPM, 8A
Peso neto.....23.4 lbs. (10.6 kg)

Especificaciones de ruido

Presión acústica ponderada.....LpA=88,9 dB(A)
Presión acústica ponderada incierta.....KpA=3 dB(A)
Potencia acústica ponderada.....LwA=101,9 dB(A)
Incertidumbre de potencia acústica ponderada.....KwA=101,9 dB(A)

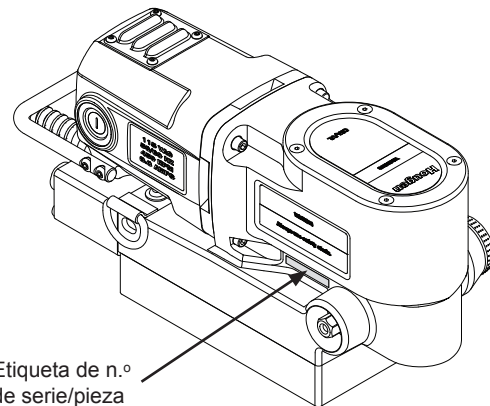


Ciclo de servicio aprobado: 2 minutos "ON", 3 minutos "OFF"

Consulte la etiqueta de número de serie/pieza adherida a la carcasa para identificar el despiece correcto.

Número de pieza

0130101 HMD130 115V



Etiqueta de n.º de serie/pieza

DESEMBALAJE DEL TALADRO MAGNÉTICO

- Abra la caja de envío y extraiga los paquetes de piezas y de material de información.
- Lea y siga todas las instrucciones** antes de comenzar a operar su nuevo taladro magnético.
- Visite Hougen.com para registrar su unidad ahora. Es importante que Hougen Manufacturing, Inc. lleve un registro de propiedad de los productos.
- Abra el paquete de piezas y revise el contenido.
17059 Correa de Seguridad
08511 Mango de Alimentación
08512 Mango de Alimentación
17021 Perilla Ovalada
11741 RotaMagic
11746 Slick-Stik
- Tome el mango del taladro magnético y extraiga la unidad de la caja de envío.
- Retire todo el embalaje y el material de sujeción del taladro.
- Atornille la perilla a la manija de avance y luego atornille la manija al conjunto central. No ajuste en exceso porque se podrían estropear las perillas.
- El taladro magnético se ajusta en la fábrica antes del envío. Compruebe que todos los tornillos de montaje del motor y los tornillos de montaje del imán estén bien ajustados y que no se hayan aflojado por vibración durante el traslado.
- Su nuevo taladro magnético de perfil bajo usa cortadores anulares RotaLoc Plus™ de Hougen.

Vuelva a leer las advertencias de seguridad que se han incluido en el Manual del operador y en el taladro para evitar lesiones. Respete las instrucciones de operación.

INDICE

Bienvenido a Hougen	2	Despiece del modelo HMD130	8
Instrucciones importantes para la seguridad industrial	3-4	Lista de piezas	9
Interruptor de seguridad	4	Diagrama y lista de piezas del motor	10
Instrucciones de funcionamiento	5	Serie de cortadores Anulares RotaLoc	11
Instalación del cortador Anular RotaLoc Plus	6	Información sobre la garantía limitada	11
Diagrama del panel de control	7	Centros Autorizados por la fábrica para Reparación y Garantía	12

ADVERTENCIA



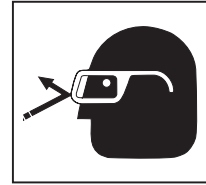
Los cortadores anulares son filosos. Utilice guantes para instalar o sacar el cortador anular del árbol. No agarre un cortador anular en movimiento.



Para evitar descargas eléctricas, no utilice herramientas motorizadas cerca de áreas que se encuentren mojadas o donde las herramientas puedan mojarse.



No mire fijamente a la luz de funcionamiento.



Siempre utilice protección ocular al manejar herramientas de corte o cuando se encuentre cerca del área de corte.



El bocado central sólido se expulsa al finalizar el corte. No deje que el cortador anular o el árbol apunten hacia ningún lugar donde el bocado central sólido, una vez expulsado, pueda golpear a alguien que se encuentre cerca o debajo de usted.

INSTRUCCIONES IMPORTANTES PARA LA SEGURIDAD



ADVERTENCIA:

Lea todas las advertencias de seguridad, instrucciones, ilustraciones y especificaciones suministradas con esta herramienta motorizada. Hacer caso omiso de las siguientes instrucciones puede ocasionar descargas eléctricas, incendios y/o lesiones físicas graves.

1. Seguridad en el área de trabajo

- Mantenga el área de trabajo limpia y bien iluminada. Si hay demasiados objetos o se trabaja en zonas oscuras, habrá mayor riesgo de accidentes.
- No opere herramientas motorizadas donde haya riesgo de explosión (por ejemplo, en presencia de líquidos, gases o polvos inflamables). Las herramientas motorizadas generan chispas que pueden encender el polvo o los gases.
- Asegúrese de que no haya niños ni otras personas cerca de la zona donde esté utilizando la herramienta motorizada. Las distracciones pueden hacer que pierda el control de la máquina.

2. Seguridad eléctrica

- Los enchufes de la herramienta motorizada deben corresponder a los tomacorrientes. No realice ninguna modificación al enchufe. No utilice enchufes adaptadores con herramientas motorizadas conectadas a tierra. Los enchufes sin modificar y que correspondan a los tomacorrientes reducen el riesgo de descargas eléctricas.
- Evite el contacto físico con superficies conectadas a tierra, como tuberías, radiadores, cocinas y refrigeradores. El riesgo de recibir una descarga eléctrica será mayor si su cuerpo está haciendo conexión a tierra.
- No exponga la herramienta motorizada a la lluvia o a condiciones de humedad. El ingreso de agua en una herramienta motorizada aumentará el riesgo de descargas eléctricas.
- No maltrate el cable. Nunca utilice el cable para transportar o desconectar la herramienta motorizada. Mantenga el cable alejado del calor, el aceite, los bordes filosos y las piezas móviles. Los cables dañados o enredados aumentan el riesgo de descargas eléctricas.
- Si planea utilizar una herramienta motorizada al aire libre, utilice un cable de extensión adecuado para uso en exteriores. Utilizar un cable adecuado para uso en exteriores reduce el riesgo de descargas eléctricas.
- Si no puede evitarse el uso de la herramienta motorizada en un lugar húmedo, es necesario utilizar una fuente de alimentación protegida con un dispositivo de corriente residual (RCD). Utilizar un RCD reduce el riesgo de descargas eléctricas.

3. Seguridad personal

- Preste atención a lo que hace y obre con sentido común al utilizar una herramienta motorizada. No use la herramienta motorizada si está cansado o se encuentra bajo los efectos de drogas, alcohol o medicamentos. Una leve distracción durante el manejo de una herramienta motorizada podría ocasionar lesiones físicas graves.
- Use los equipos de protección personal. Siempre debe usar protección ocular. La utilización de los equipos de protección personal, como máscara antipolvo, calzado de seguridad antideslizante, casco o protección auditiva, cuando sean necesarios, reduce las lesiones físicas.

- Evite que la herramienta arranque accidentalmente. Asegúrese de que el interruptor esté en la posición de apagado antes de conectar la fuente de alimentación y/o el paquete de baterías, y de levantar o transportar la herramienta. Si transporta herramientas motorizadas con el dedo sobre el interruptor o las enchufa con el interruptor activado, puede producirse un accidente.
- Retire cualquier cuña o llave de ajuste antes de encender la herramienta motorizada. Si una llave o cuña quedan sujetas a una pieza giratoria de la herramienta motorizada, pueden producirse lesiones físicas.
- No intente realizar movimientos forzados. Mantenga la estabilidad y el equilibrio en todo momento. Esto permite un mejor control de la herramienta motorizada en una situación inesperada.
- Use la vestimenta adecuada. No utilice ropa suelta ni alhajas. Mantenga el cabello y la ropa alejados de las piezas en movimiento. La ropa suelta, las alhajas y el cabello largo pueden quedar atrapados en las piezas en movimiento.
- Si se proporcionan dispositivos para conectar elementos para la extracción y recolección de polvo, asegúrese de que se conecten y usen correctamente. El uso de elementos para la recolección de polvo puede reducir los riesgos relacionados con el polvo.
- No deje que la confianza que se adquiere por el uso frecuente de la herramienta le haga disminuir la atención que debe tener e ignorar los principios de seguridad de la herramienta. Una acción descuidada puede causar lesiones graves en una fracción de segundo.
- Siempre utilice la cadena de seguridad. El montaje puede desprenderse.

4. Uso y cuidado de la herramienta motorizada

- No fuerce la herramienta motorizada. Utilice la herramienta motorizada adecuada para el trabajo. La herramienta motorizada correcta funciona mejor y más rápido si se utiliza a la velocidad prevista.
- No utilice la herramienta motorizada si el interruptor no la enciende ni la apaga. Las herramientas motorizadas que no pueden controlarse con el interruptor son peligrosas y deben repararse.
- Desconecte el enchufe de la fuente de alimentación y/o retire el paquete de baterías, si es desmontable, de la herramienta motorizada antes de realizar cualquier ajuste, cambiar accesorios o almacenar la herramienta motorizada. Estas medidas preventivas reducirán el riesgo de que la herramienta se encienda accidentalmente.
(Continúa en la página 4)

Guarde todas las advertencias e instrucciones para consultas futuras.

INSTRUCCIONES IMPORTANTES PARA LA SEGURIDAD

- d) Guarde las herramientas motorizadas que no utilice fuera del alcance de los niños y no permita que personas no familiarizadas con la herramienta motorizada o con estas instrucciones pongan en funcionamiento la herramienta motorizada. *Las herramientas motorizadas son peligrosas en manos de usuarios no capacitados.*
- e) Haga mantenimiento a las herramientas motorizadas y a los accesorios. Controle que las piezas en movimiento no estén desalineadas o atascadas, que no haya piezas rotas ni ninguna otra condición que pueda afectar el funcionamiento de la herramienta motorizada. Si hay piezas dañadas, haga reparar la herramienta motorizada antes de utilizarla. *Muchos accidentes se producen por el uso de herramientas motorizadas en mal estado.*
- f) Asegúrese de que las herramientas de corte estén siempre afiladas y limpias. *Las herramientas de corte que se mantienen en buen estado, con los bordes de corte afilados, son menos propensas a trabarse y más fáciles de controlar.*
- g) Utilice la herramienta motorizada, los accesorios, las brocas, etc. de acuerdo con las instrucciones, teniendo en cuenta las condiciones de trabajo y el trabajo a realizar. *La utilización de la herramienta motorizada para tareas diferentes a las previstas puede resultar en situaciones de riesgo.*
- h) Mantenga los mangos y superficies de agarre limpios y sin aceite ni grasa. *Las superficies de agarre y los mangos resbalosos no permiten un agarre seguro ni controlar la herramienta en situaciones inesperadas.*

5. Mantenimiento

- a) El mantenimiento de su herramienta motorizada debe realizarlo personal de reparación calificado, utilizando solo repuestos idénticos. *Esto permite garantizar la seguridad de la herramienta motorizada.*

INSTRUCCIONES ADICIONALES PARA LA SEGURIDAD

Conexión eléctrica segura

El taladro está preparado para funcionar con 115 VCA o 230 V a 50-60 Hz. No intente utilizar el taladro con fuentes de alimentación que tengan otras tensiones o frecuencias.

Enchufes y tomacorrientes



Si las conexiones eléctricas están mojadas, habrá riesgo de descargas. A fin de evitar que el lubricante para corte se desplace a lo largo del cable y entre en contacto con el enchufe o tomacorriente, haga un lazo de goteo, como se ilustra a continuación. Además, eleve los cables de extensión o las conexiones de las cajas de distribución eléctrica.



Cables de extensión

Solo debe utilizar cables de extensión de 3 hilos que tengan enchufes de 3 clavijas con toma de tierra, y tomacorrientes de 3 polos que sean compatibles con el enchufe de la herramienta. Reemplace o repare los cables dañados. Asegúrese de que el conductor tenga la longitud necesaria para evitar una caída abrupta de la tensión, lo que provocaría un corte de la alimentación eléctrica y podría dañar el motor.

LONGITUD DEL CABLE EN PIES	CALIBRE RECOMENDADO PARA EL CABLE	CALIBRE RECOMENDADO PARA EL CABLE
	MOTOR DE 115 V 10-12 A	MOTOR DE 230 V 5-6 A
Hasta 7,6 m (25')	16	18
7,9-15,2 m (26-50')	14	18
15,5-30,5 m (51-100')	10	16
30,8-61,0 m (101-200')	8	14
61,3-91,4 m (201-300')	6	12
91,7-152,4 m (301-500')	4	10

Uso de cables de extensión en exteriores

Si utiliza la herramienta en exteriores, solo debe utilizar cables de extensión identificados como aptos para uso en exteriores.

Otras medidas de seguridad

El árbol y el cortador anular no deben utilizarse como puntos de sujeción ni como manija. Mantenga las manos y la ropa alejadas de cualquier pieza en movimiento. No utilice los cortadores anulares Hougén en lugares donde el bocado central sólido pueda causar lesiones al ser expulsado (recuerde que el bocado central sólido sale expulsado al finalizar el corte). Además, respete todas las instrucciones de funcionamiento. No perforo superficies que puedan contener cables eléctricos con corriente. Si perfora un cable con corriente, es posible que las piezas metálicas expuestas del taladro queden cargadas eléctricamente. Retire las virutas acumuladas alrededor del cortador anular y del árbol después de cada perforación. Con el motor apagado y la alimentación desconectada, tome las virutas con un guante de cuero o tenazas y jálelas mientras las gira en sentido contrahorario. Si el cortador anular queda atascado en la pieza, detenga la unidad inmediatamente para evitar lesiones físicas. Desconecte el taladro de la fuente de alimentación y afloje el cortador anular atascado girando el árbol en sentido contrahorario. No intente darle arranque al motor para liberar el cortador anular atascado. Haga reparar la unidad en centros de reparación autorizados, exclusivamente.

Uso de la herramienta cerca de equipos de soldadura

NO ponga en funcionamiento esta unidad en la misma superficie de trabajo sobre la que se realizan soldaduras. Pueden producirse daños en la unidad, particularmente en el cable de alimentación. El operador también podría sufrir lesiones físicas.

Corta circuitos (si corresponde)

No se recomienda puentear el corta circuitos o cambiarlo por otro de un amperaje superior; si se hace, se invalidará la garantía del producto.

Funcionamiento del corta circuitos

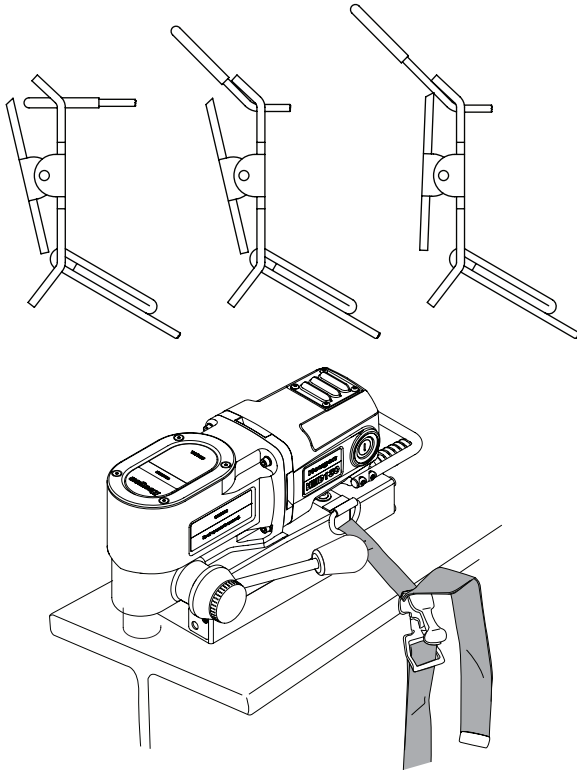
(si corresponde)

El corta circuitos es del tipo térmico. Cuando alcanza el índice de temperatura más elevado, el corta circuitos se dispara y la unidad se apaga. Este es un dispositivo de protección que se puede restablecer después de un lapso de 5 a 10 minutos. Para restablecerlo, presione el botón del corta circuitos hacia adentro. Si no ocurre nada, deje que la unidad se enfríe un poco más hasta que, una vez oprimido el botón, este se mantenga en esa posición.

Guarde todas las advertencias e instrucciones para consultas futuras.

INSTRUCCIONES DE FUNCIONAMIENTO

1. Coloque el taladro sobre el material (grosor mínimo de 3/8") y ubíquelo para realizar la perforación.
2. Encienda el interruptor del imán.
3. Pase la correa de seguridad a través de la abertura entre el motor y la carcasa del taladro. Asegúrese de que la correa no interfiera en el funcionamiento de las manijas de avance. Introduzca la lengüeta de la correa en la hebilla. Ajuste firmemente la correa al material y a la carcasa del taladro. Controle la tensión y ajústela de ser necesario.



PRECAUCIÓN:

- Asegúrese de que la correa no entre en contacto con el área de perforación, virutas y rebabas del material.
 - Inspeccione la correa periódicamente para detectar desgaste o daños. No utilice una correa de seguridad dañada.
4. Aplique una cantidad abundante de lubricante líquido o en pasta al cortador Anular. Es posible que se necesite lubricación adicional para completar la perforación.
 5. Asegúrese de que el cortador Anular no esté en contacto con la pieza de trabajo y presione el botón de encendido para arrancar el motor.

6. Mueva el cortador Anular lentamente en dirección a la pieza de trabajo. Solo deberá aplicar plena fuerza en las manijas de avance una vez que haya establecido la trayectoria de corte hasta una profundidad de 1/16", aproximadamente. Reduzca la presión de avance cuando el cortador Anular comience a atravesar la pieza de trabajo.

PRECAUCIÓN: No ejerza demasiada presión de avance en el cortador anular. Una presión de avance excesiva podría causar que el imán se desprenda del material.

PERFORACIÓN DE MATERIALES DE PLACAS APILADAS:

La penetración de la segunda capa puede resultar difícil. Es posible que sea necesario aplicar un poco más de presión (evite ejercer demasiada presión de avance como se indicó).

Si no puede perforar la segunda capa, retire el cortador Anular del material expulsando el bocado central sólido y limpie las virutas. Ubique el cortador Anular en el orificio perforado y siga cortando.

- Apague el motor al finalizar la perforación.
- Retire completamente el cortador anular del material, lo cual expulsa el bocado central sólido.
- Retire la correa de seguridad.

7. Coloque el interruptor del imán en la posición de apagado.

PRECAUCIÓN: Sostenga firmemente el taladro para evitar que se caiga.

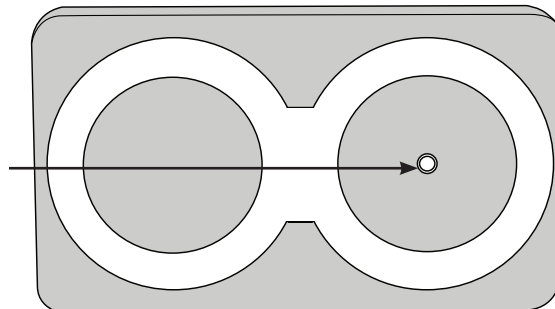
Se pueden acumular virutas en el interior del cortador Anular que limitarán la profundidad del corte. Se debe inspeccionar el cortador Anular y eliminar virutas y residuos con frecuencia.

MÉTODOS OPCIONALES DE AVANCE:

- Llave cerrada de 1/2"
- Trinquete con dado de 1/2"
- NO UTILICE TENAZAS O LLAVES ABIERTAS (se dañarán las superficies de montaje de la manija de avance)

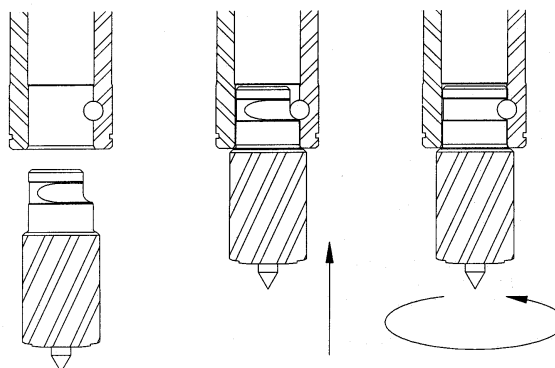
INTERRUPTOR DE SEGURIDAD

NOTA: El interruptor de seguridad ubicado en la base del taladro apaga el motor cuando se eleva la unidad. El imán permanece activado hasta que usted lo apaga. Es importante mantener el área limpia y sin virutas. Revise periódicamente el funcionamiento de este interruptor, y en caso de que surja un problema en su funcionamiento, envíe la unidad a un centro de reparación autorizado.

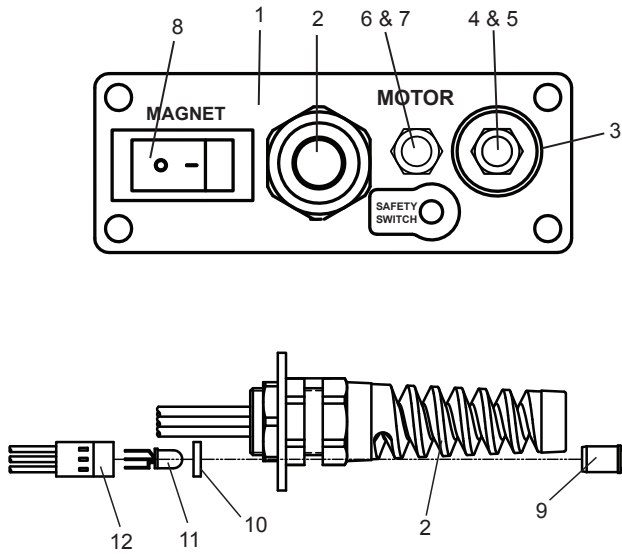


INSTALACIÓN DEL CORTADOR ANULAR ROTALOC PLUS™

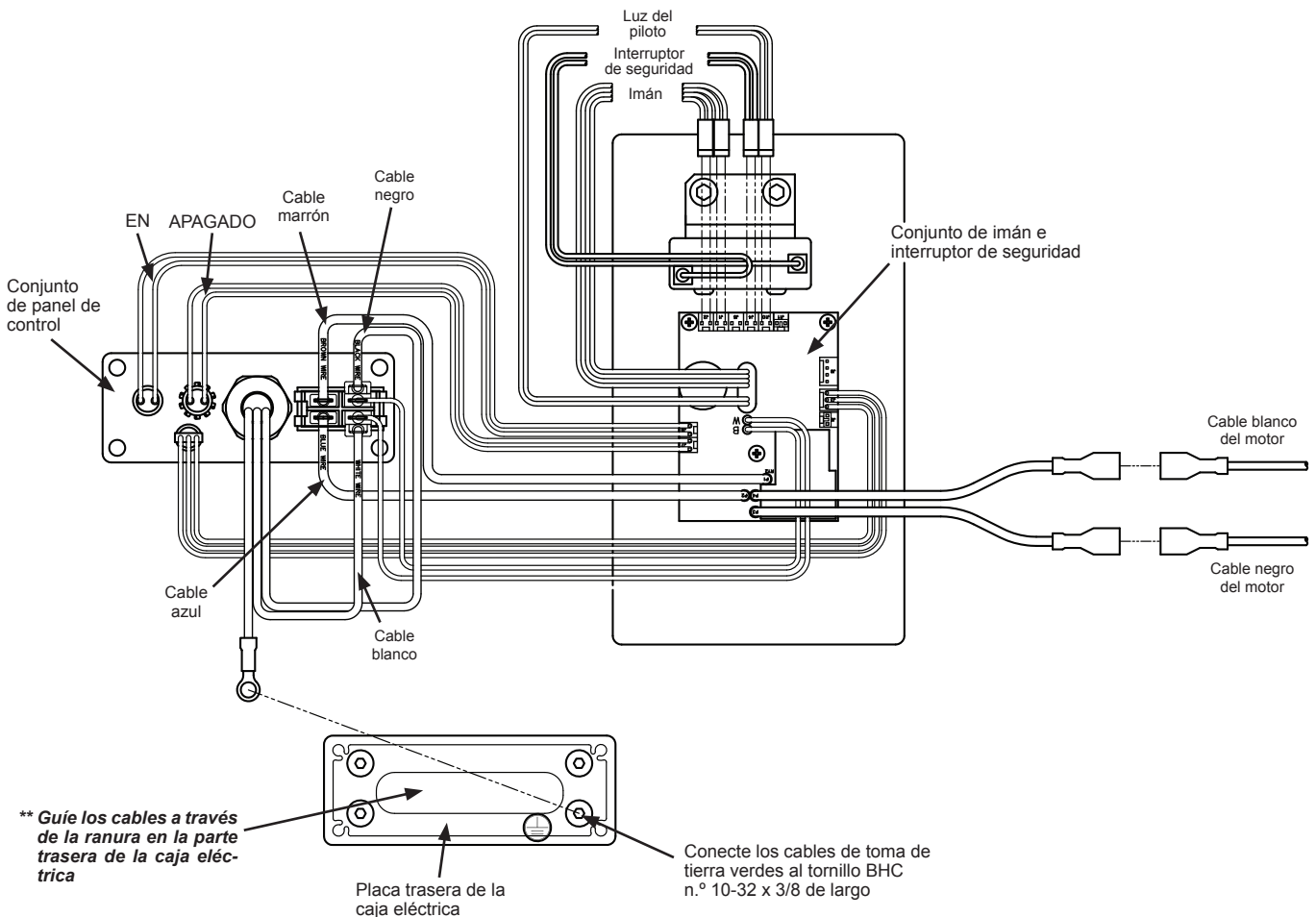
1. Desconecte la máquina de la fuente de alimentación.
2. Inserte el piloto en el cortador anular.
3. Alinee la cara plana del vástago con el pasador del husillo.
4. Inserte el cortador anular en el husillo.
5. Gire el cortador 1/4 de vuelta en sentido contrario a las acanaladuras.

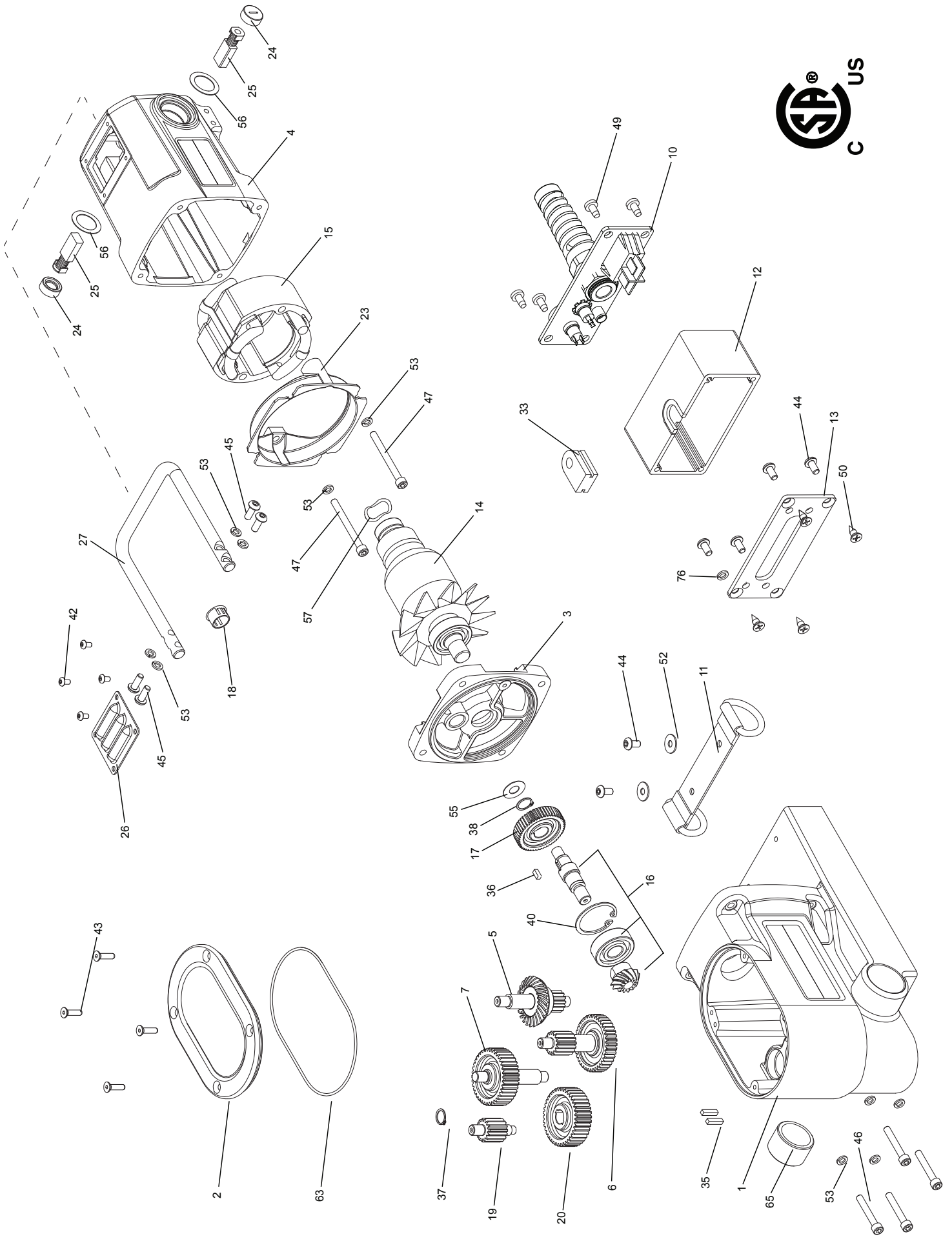


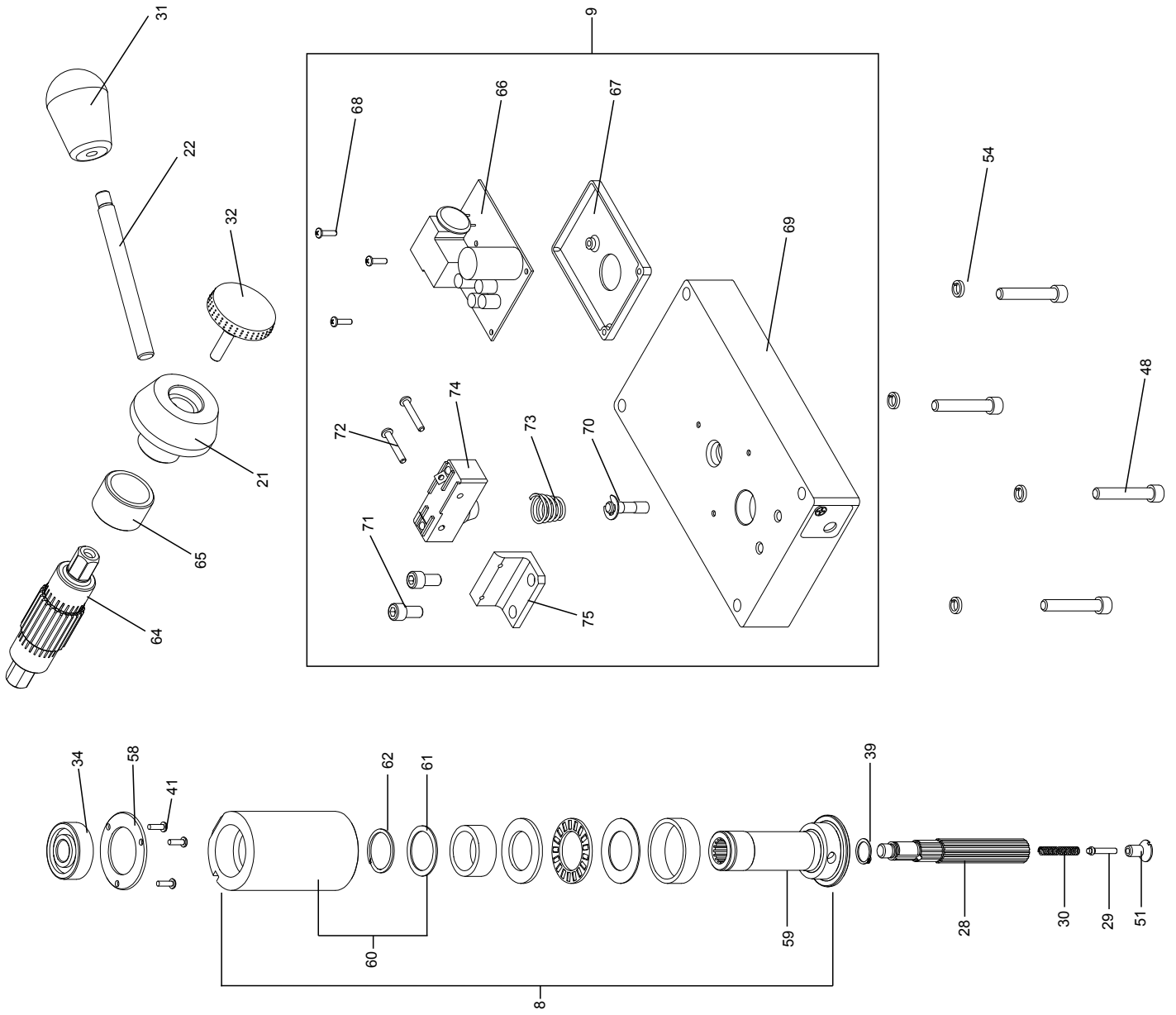
DESPIECE DEL PANEL DE CONTROL 115V



08836 Conjunto de panel de control - HMD130 115V			
Artículo	N.º de pieza	Descripción	Cant.
1	08829	Placa frontal	1
2	90571	Conjunto de cable de alimentación	1
3	08831	Protector del interruptor	1
4	08832	Interruptor de encendido del motor	1
5	08834	Cubierta del interruptor verde	1
6	08833	Interruptor de apagado del motor	1
7	08835	Cubierta del interruptor rojo	1
8	08830	Interruptor basculante de	1
9	04879	Lente transparente	1
10	04878	Separador	1
11	04881	Bombilla	1
12	04877	Conjunto de cables	1







LISTA DE PIEZAS DEL MODELO HMD130

N.º de artículo	N.º de pieza	Descripción	Cant.
1	09514	Conjunto de carcasa del taladro y etiqueta	1
2	09513	Tapa de caja de engranajes	1
3	08428	Cubierta de caja de engranajes	1
4	08429	Conjunto de carcasa del motor	1
5	09516	Conjunto de engranajes, 24 y 14 dientes	1
6	09517	Conjunto de engranajes, 39 y 15 dientes	1
7	09518	Conjunto de engranajes, 39 dientes	1
8	08433	Conjunto de eje hueco y árbol	1
9	08434	Conjunto de imán e interruptor	1
10	08435	Conjunto de panel de control	1
11	08436	Correa de seguridad	1
12	08827	Carcasa, caja eléctrica	1
13	08828	Placa trasera	1
14	17630	Armadura	1
15	08439	Campo	1
16	08605	Conjunto de husillo	1
17	08441	Engranaje recto n.º 2, 50 dientes	1
18	07216	Tapón de orificio	1
19	09520	Engranaje recto n.º 7, 15 dientes	1
20	08444	Engranaje recto n.º 8, 40 dientes	1
21	08445	Pieza central de avance	1
22	08511	Mango de avance .370 x 4.0	1
	08512	Mango de avance .370 x 2.5	1
23	07846	Deflector	1
24	17622	Tapa del portaescobillas	2
25	17621	Escobilla de carbón	1
26	07848	Cubierta, acceso a las escobillas	1
27	08447	Manija	1
28	09519	Eje estriado	1
29	08513	Émbolo	1
30	17492	Resorte de compresión, \varnothing 0,18 x 1,0	1
31	17021	Perilla oval	1
32	08449	Perilla de caucho	1
33	08450	Arandela de goma, vibración	1
34	17270	Cojinete	2
35	17277	Llave de 1/8 de sección cuadrada x 0,53 de largo	2
36	08451	Llave de 1/8 de sección cuadrada x 5/32 de largo	1
37	08456	Anillo de retención para eje de 0,406	1
38	08452	Anillo de retención para eje de 7/16	1

N.º de artículo	N.º de pieza	Descripción	Cant.
39	17475	Anillo de retención para eje de 12 mm	1
40	08453	Anillo de retención interior con orificio de 1,259	1
41	04718	Tornillo de cabeza alomada n.º 4-40 x 3/8 de largo	3
42	02385	Tornillo BHC n.º 6-32 x 1/4	4
43	90448	Tornillo FHC n.º 8-32 x 5/8 de largo	4
44	41044	Tornillo BHC n.º 10-32 x 3/8 de largo	6
45	90077	Tornillo BHC n.º 10-32 x 1/2 de largo	4
46	51044	Tornillo SHC n.º 10-32 x 1 1/4	4
47	07849	Tornillo SHC n.º 10-32 x 2 de largo	2
48	40078	Tornillo SHC n.º 1/4-20 x 1 1/2 de largo	4
49	24081	Tornillo autorroscante de cabeza alomada n.º 10 x 3/8	4
50	17459	Tornillo FHC roscado n.º 10 x 1/2	4
51	17493	Tornillo FHC alterado 1/4-28	1
52	90237	Arandela plana n.º 10	2
53	50038	Arandela de seguridad helicoidal n.º 10	10
54	04721	Arandela de seguridad de 1/4, collar alto	4
55	17610	Arandela plana de 8 mm	1
56	17632	Arandela de fibra	2
57	08000	Arandela de resorte	1
58	08454	Arandela de retenedor de cojinete	1
59	08481	Conjunto de árbol	1
60	08482	Conjunto de eje hueco	1
61	08483	Arandela de empuje	1
62	24164	Anillo de retención	1
63	08467	Anillo tórico	1
64	08463	Engranajes de avance de 24 dientes	1
65	40231	Buje de bronce	1
66	08646	Tarjeta de circuitos, 115 V	1
67	08493	Separador, tarjeta de circuitos	1
68	08494	Tornillo de cabeza alomada n.º 4-40 x 7/16	3
69	08491	Conjunto de bobinado de imán	1
70	08492	Conjunto de émbolo	1
71	10971	Tornillo SHC de 1/4-20 x 1/2	2
72	10972	Tornillo BHC de 6-32 x 7/8	2
73	17271	Resorte	1
74	04885	Conjunto de interruptor de seguridad	1
75	04909	Escuadra de soporte del interruptor de seguridad	1
76	10560	Arandela de Seguridad	1

CORTADORES ANULARES ROTALOC PLUS™ PARA EL MODELO HMD130

Los cortadores anulares RotaLoc Plus™ están fabricados específicamente para el modelo HMD130. Están equipados con un vástago de encastre por giro tipo bayoneta sin herramientas de 5/8" y puede perforar hasta 1" de profundidad como los cortadores anulares corte pila. Son de acero de alta calidad y alta velocidad M42 y están disponibles en diámetros de 7/16" a 1 3/8" (de 12 mm a 35 mm).

Cortadores anulares RotaLoc Plus™ con profundidad de corte de 1"C.

Utilizar con el centro piloto 17810			
17814	7/16"	17900	12mm
17816	1/2"	17902	13mm
17818	9/16"	17904	14mm
17820	5/8"	17906	15mm
17822	11/16"	17908	16mm
17824	3/4"	17910	17mm
17826	13/16"	17912	18mm
17828	7/8"	17914	19mm
17830	15/16"	17916	20mm
17832	1"	17918	21mm
17834	1-1/16"	17920	22mm
17836	1-1/8"	17922	23mm
17838	1-3/16"	17924	24mm
17840	1-1/4"	17925	24.5mm
17842	1-5/16"	17926	25mm
17844	1-3/8"	17928	26mm
		17930	27mm
		17932	28mm
		17934	29mm
		17936	30mm
		17938	31mm
		17940	32mm
		17942	33mm
		17944	34mm
		17946	35mm

Juego de cortadores Anulares RotaLoc Plus™ con profundidad de corte de 1"

N.º de pieza	Descripción
17802	El juego contiene (3) cortadores Anulares con profundidad de corte de 1" - 1/2", 5/8" y 3/4" de diámetro y (2) pilotos en un estuche de plástico resistente.
17803	El juego contiene (3) cortadores Anulares con profundidad de corte de 1" - 9/16", 11/16" y 13/16" de diámetro y (3) pilotos en un estuche de plástico para transporte.
17805	El juego contiene (3) cortadores Anulares con profundidad de corte de 1" - 14 mm, 16 mm y 18 mm de diámetro y (3) pilotos en un estuche de plástico para transporte.

GARANTÍA COMERCIAL E INDUSTRIAL LIMITADA

Hougen Manufacturing, Inc. garantiza sus taladros magnéticos portátiles, taladros de riel Trak-Star, sierra de carril hidráulica y agitadores de pintura Tornado II durante dos (2) años, perforadoras electrohidráulicas por un (1) año, y Husqvarna Saw y otros productos por noventa (90) días a partir de la fecha de compra contra defectos debidos a materiales defectuosos o mano de obra y repararán o reemplazarán (a nuestra opción) sin cargo alguno por los artículos devueltos. Esta garantía quedará anulada si el artículo ha sufrido daños por accidente o uso no razonable, negligencia, mantenimiento inapropiado u otras causas no vinculadas a los defectos de fabricación o de los materiales. No se otorga ni se autoriza ninguna otra garantía expresa. Hougen Manufacturing, Inc. niega la existencia de cualquier garantía implícita de comercialización o idoneidad por cualquier periodo que exceda la vigencia de la garantía expresa y no será responsable por daños incidentales ni contingentes. En Estados Unidos, algunos estados no permiten la exclusión de daños incidentales o contingentes ni la limitación del periodo de vigencia de una garantía implícita; por lo tanto, si usted realiza la compra en un estado que posee leyes de esas características, es posible que no esté sujeto a la exclusión y limitación antedichas. Esta garantía le confiere derechos legales específicos, pero usted podría gozar de otros derechos conforme a las normas vigentes en el estado donde reside.

Para acceder al servicio de reparación cubierto por la garantía, deberá devolver los artículos con franqueo pagado al centro de reparación que esté autorizado por la fábrica y cubierto por la garantía, o bien a Hougen Manufacturing, Inc., 3001 Hougen Drive, Swartz Creek, Michigan 48473.

La garantía de los taladros Hougen solo cubre los defectos de fabricación, y estos deben ser verificados a través de una inspección a cargo de Hougen Manufacturing.

ESTA GARANTÍA REEMPLAZA CUALQUIER OTRA GARANTÍA EXPRESA O IMPLÍCITA, INCLUIDA TODA GARANTÍA DE COMERCIALIZACIÓN O IDONEIDAD PARA UN FIN DETERMINADO.

Las fotografías y especificaciones que aquí se incluyen reflejan con total exactitud los detalles del producto a la fecha de publicación de este manual. El fabricante se reserva el derecho de realizar mejoras y modificaciones sin previo aviso. Hougen, Rotabroach y Hougen-Edge son marcas comerciales patentadas de Hougen Manufacturing, Inc.

CENTROS DE REPARACIÓN CUBIERTOS POR LA GARANTÍA Y AUTORIZADOS POR HOUGEN

En los centros de reparación cubiertos por la garantía y autorizados por Hougen hay personal capacitado en fábrica para mantener y reparar de manera adecuada los taladros magnéticos portátiles de Hougen. Para conocer cuál es el Centro de reparación cubierto por la garantía y autorizado más cercano, visite:

www.hougen.com



Hougen Manufacturing, Inc.

P.O. Box 2005 • Flint, MI 48501-2005

3001 Hougen Drive • Swartz Creek, MI 48473

Phone (810) 635-7111 • Fax (810) 635-8277

www.hougen.com • info@hougen.com

© 2023 Hougen Manufacturing, Inc.





Hougen[®]

Español

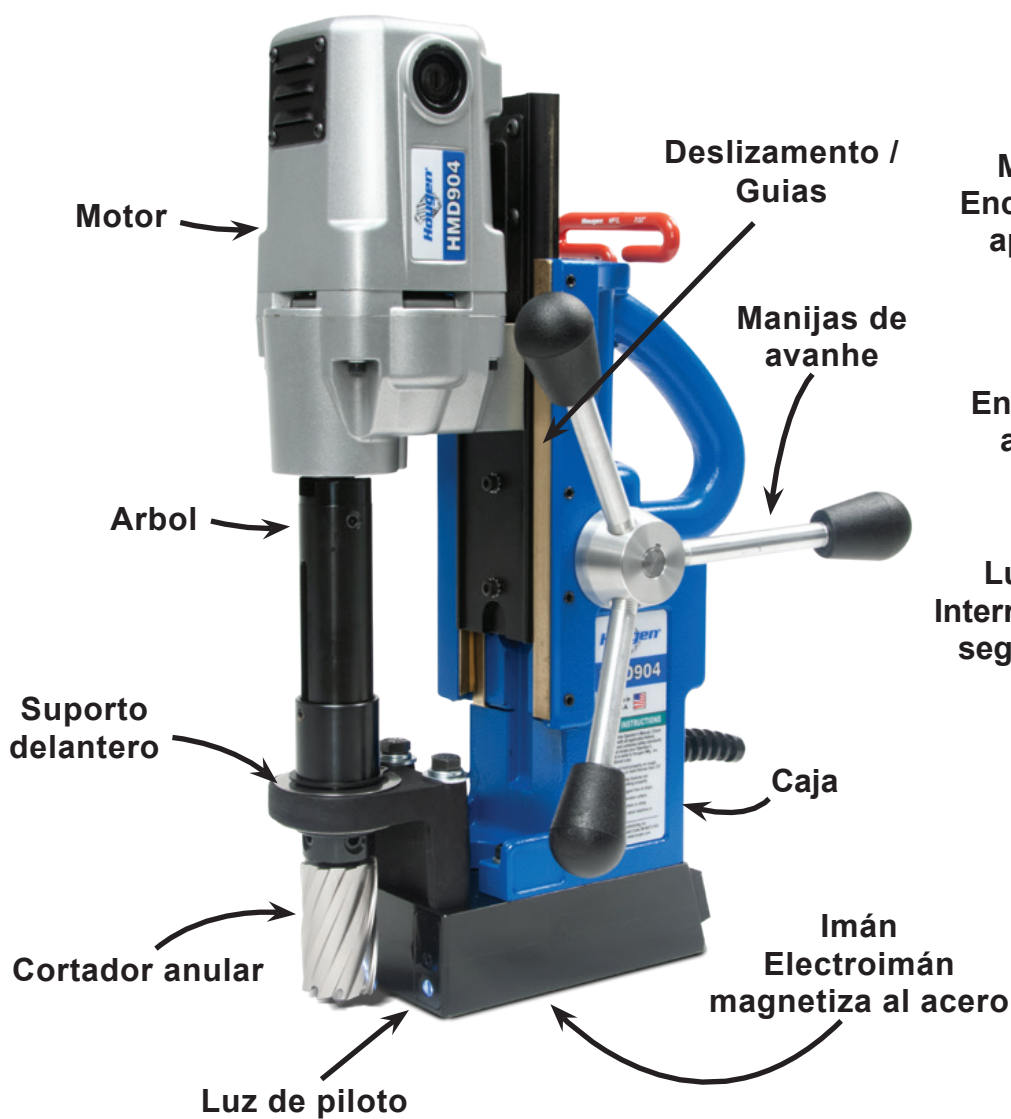
OPERACIÓN SEGURA PARA TALADROS MAGNÉTICOS

*Una guía general de
procedimiento para
operación segura*



**LA SEGURIDAD
ANTE TODO**

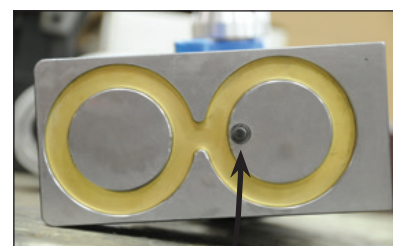
PARTES GENERALES



Panel de control típico



Fondo del imán



LA SEGURIDAD ANTE TODO



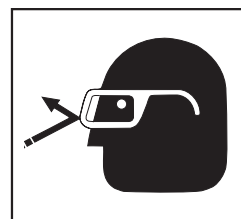
Los cortadores anulares son filosos. Utilice guantes para instalar o sacar el cortador anular del árbol. No agarre un cortador anular en movimiento.



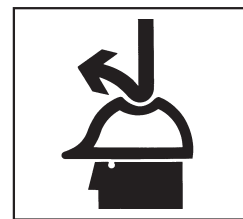
Para evitar descargas eléctricas, no utilice herramientas motorizadas cerca de áreas que se encuentren mojadas o donde las herramientas puedan mojarse.



No mire fijamente a la luz de funcionamiento.



Siempre utilice protección ocular al manejar herramientas de corte o cuando se encuentre cerca del área de corte.



El bocado central sólido se expulsa al finalizar el corte. No deje que el cortador anular o el árbol apunten hacia ningún lugar donde el bocado central sólido, una vez expulsado, pueda golpear a alguien que se encuentre cerca o debajo de usted.

Un taladro magnético puede ser una herramienta muy útil para creando agujeros. Por favor lea y siga todas las procedimientos indicados en su manual de operación y de acuerdo con la política de empresa.

INSTRUCCIONES IMPORTANTES PARA LA SEGURIDAD



ADVERTENCIA:

Lea todas las advertencias de seguridad, instrucciones, ilustraciones y especificaciones suministradas con esta herramienta motorizada. Hacer caso omiso de las siguientes instrucciones puede ocasionar descargas eléctricas, incendios y/o lesiones físicas graves.

1. Seguridad en el área de trabajo

- Mantenga el área de trabajo limpia y bien iluminada. Si hay demasiados objetos o se trabaja en zonas oscuras, habrá mayor riesgo de accidentes.
- No opere herramientas motorizadas donde haya riesgo de explosión (por ejemplo, en presencia de líquidos, gases o polvos inflamables). Las herramientas motorizadas generan chispas que pueden encender el polvo o los gases.
- Asegúrese de que no haya niños ni otras personas cerca de la zona donde esté utilizando la herramienta motorizada. Las distracciones pueden hacer que pierda el control de la máquina.

2. Seguridad eléctrica

- Los enchufes de la herramienta motorizada deben corresponder a los tomacorrientes. No realice ninguna modificación al enchufe. No utilice enchufes adaptadores con herramientas motorizadas conectadas a tierra. Los enchufes sin modificar y que correspondan a los tomacorrientes reducen el riesgo de descargas eléctricas.
- Evite el contacto físico con superficies conectadas a tierra, como tuberías, radiadores, cocinas y refrigeradores. El riesgo de recibir una descarga eléctrica será mayor si su cuerpo está haciendo conexión a tierra.
- No exponga la herramienta motorizada a la lluvia o a condiciones de humedad. El ingreso de agua en una herramienta motorizada aumentará el riesgo de descargas eléctricas.
- No maltrate el cable. Nunca utilice el cable para transportar o desconectar la herramienta motorizada. Mantenga el cable alejado del calor, el aceite, los bordes filosos y las piezas móviles. Los cables dañados o enredados aumentan el riesgo de descargas eléctricas.
- Si planea utilizar una herramienta motorizada al aire libre, utilice un cable de extensión adecuado para uso en exteriores. Utilizar un cable adecuado para uso en exteriores reduce el riesgo de descargas eléctricas.
- Si no puede evitarse el uso de la herramienta motorizada en un lugar húmedo, es necesario utilizar una fuente de alimentación protegida con un dispositivo de corriente residual (RCD). Utilizar un RCD reduce el riesgo de descargas eléctricas.

3. Seguridad personal

- Preste atención a lo que hace y obre con sentido común al utilizar una herramienta motorizada. No use la herramienta motorizada si está cansado o se encuentra bajo los efectos de drogas, alcohol o medicamentos. Una leve distracción durante el manejo de una herramienta motorizada podría ocasionar lesiones físicas graves.
- Use los equipos de protección personal. Siempre debe usar protección ocular. La utilización de los equipos de protección personal, como máscara antipolvo, calzado de seguridad antideslizante, casco o protección auditiva, cuando sean necesarios, reduce las lesiones físicas.

- Evite que la herramienta arranque accidentalmente. Asegúrese de que el interruptor esté en la posición de apagado antes de conectar la fuente de alimentación y/o el paquete de baterías, y de levantar o transportar la herramienta. Si transporta herramientas motorizadas con el dedo sobre el interruptor o las enchufa con el interruptor activado, puede producirse un accidente.
- Retire cualquier cuña o llave de ajuste antes de encender la herramienta motorizada. Si una llave o cuña quedan sujetas a una pieza giratoria de la herramienta motorizada, pueden producirse lesiones físicas.
- No intente realizar movimientos forzados. Mantenga la estabilidad y el equilibrio en todo momento. Esto permite un mejor control de la herramienta motorizada en una situación inesperada.
- Use la vestimenta adecuada. No utilice ropa suelta ni alhajas. Mantenga el cabello y la ropa alejados de las piezas en movimiento. La ropa suelta, las alhajas y el cabello largo pueden quedar atrapados en las piezas en movimiento.
- Si se proporcionan dispositivos para conectar elementos para la extracción y recolección de polvo, asegúrese de que se conecten y usen correctamente. El uso de elementos para la recolección de polvo puede reducir los riesgos relacionados con el polvo.
- No deje que la confianza que se adquiere por el uso frecuente de la herramienta le haga disminuir la atención que debe tener e ignorar los principios de seguridad de la herramienta. Una acción descuidada puede causar lesiones graves en una fracción de segundo.
- Siempre utilice la cadena de seguridad. El montaje puede desprenderse.

4. Uso y cuidado de la herramienta motorizada

- No fuerce la herramienta motorizada. Utilice la herramienta motorizada adecuada para el trabajo. La herramienta motorizada correcta funciona mejor y más rápido si se utiliza a la velocidad prevista.
- No utilice la herramienta motorizada si el interruptor no la enciende ni la apaga. Las herramientas motorizadas que no pueden controlarse con el interruptor son peligrosas y deben repararse.
- Desconecte el enchufe de la fuente de alimentación y/o retire el paquete de baterías, si es desmontable, de la herramienta motorizada antes de realizar cualquier ajuste, cambiar accesorios o almacenar la herramienta motorizada. Estas medidas preventivas reducirán el riesgo de que la herramienta se encienda accidentalmente.
(Continúa en la página 4)

Guarde todas las advertencias e instrucciones para consultas futuras.



INSTRUCCIONES IMPORTANTES PARA LA SEGURIDAD

- d) Guarde las herramientas motorizadas que no utilice fuera del alcance de los niños y no permita que personas no familiarizadas con la herramienta motorizada o con estas instrucciones pongan en funcionamiento la herramienta motorizada. *Las herramientas motorizadas son peligrosas en manos de usuarios no capacitados.*
- e) Haga mantenimiento a las herramientas motorizadas y a los accesorios. Controle que las piezas en movimiento no estén desalineadas o atascadas, que no haya piezas rotas ni ninguna otra condición que pueda afectar el funcionamiento de la herramienta motorizada. Si hay piezas dañadas, haga reparar la herramienta motorizada antes de utilizarla. *Muchos accidentes se producen por el uso de herramientas motorizadas en mal estado.*
- f) Asegúrese de que las herramientas de corte estén siempre afiladas y limpias. *Las herramientas de corte que se mantienen en buen estado, con los bordes de corte afilados, son menos propensas a trabarse y más fáciles de controlar.*
- g) Utilice la herramienta motorizada, los accesorios, las brocas, etc. de acuerdo con las instrucciones, teniendo en cuenta las condiciones de trabajo y el trabajo a realizar. *La utilización de la herramienta motorizada para tareas diferentes a las previstas puede resultar en situaciones de riesgo.*
- h) Mantenga los mangos y superficies de agarre limpios y sin aceite ni grasa. *Las superficies de agarre y los mangos resbalosos no permiten un agarre seguro ni controlar la herramienta en situaciones inesperadas.*

5. Mantenimiento

- a) El mantenimiento de su herramienta motorizada debe realizarlo personal de reparación calificado, utilizando solo repuestos idénticos. *Esto permite garantizar la seguridad de la herramienta motorizada.*

INSTRUCCIONES ADICIONALES PARA LA SEGURIDAD

Conexión eléctrica segura

El taladro está preparado para funcionar con 115 VCA o 230 V a 50-60 Hz. No intente utilizar el taladro con fuentes de alimentación que tengan otras tensiones o frecuencias.

Enchufes y tomacorrientes



Modelo típico en EE. UU. para 115 V

Modelo típico en EE. UU. para 230 V

Enchufe tipo I de 230 V

Si las conexiones eléctricas están mojadas, habrá riesgo de descargas. A fin de evitar que el lubricante para corte se desplace a lo largo del cable y entre en contacto con el enchufe o tomacorriente, haga un lazo de goteo, como se ilustra a continuación. Además, eleve los cables de extensión o las conexiones de las cajas de distribución eléctrica.



Cables de extensión

Solo debe utilizar cables de extensión de 3 hilos que tengan enchufes de 3 clavijas con toma de tierra, y tomacorrientes de 3 polos que sean compatibles con el enchufe de la herramienta. Reemplace o repare los cables dañados. Asegúrese de que el conductor tenga la longitud necesaria para evitar una caída abrupta de la tensión, lo que provocaría un corte de la alimentación eléctrica y podría dañar el motor.

LONGITUD DEL CABLE EN PIES	CALIBRE RECOMENDADO PARA EL CABLE	CALIBRE RECOMENDADO PARA EL CABLE
	MOTOR DE 115 V 10-12 A	MOTOR DE 230 V 5-6 A
Hasta 7,6 m (25')	16	18
7,9-15,2 m (26-50')	14	18
15,5-30,5 m (51-100')	10	16
30,8-61,0 m (101-200')	8	14
61,3-91,4 m (201-300')	6	12
91,7-152,4 m (301-500')	4	10

Uso de cables de extensión en exteriores

Si utiliza la herramienta en exteriores, solo debe utilizar cables de extensión identificados como aptos para uso en exteriores.

Otras medidas de seguridad

El árbol y el cortador anular no deben utilizarse como puntos de sujeción ni como manija. Mantenga las manos y la ropa alejadas de cualquier pieza en movimiento. No utilice los cortadores anulares Hougén en lugares donde el bocado central sólido pueda causar lesiones al ser expulsado (recuerde que el bocado central sólido sale expulsado al finalizar el corte). Además, respete todas las instrucciones de funcionamiento. No perforo superficies que puedan contener cables eléctricos con corriente. Si perfora un cable con corriente, es posible que las piezas metálicas expuestas del taladro queden cargadas eléctricamente. Retire las virutas acumuladas alrededor del cortador anular y del árbol después de cada perforación. Con el motor apagado y la alimentación desconectada, tome las virutas con un guante de cuero o tenazas y jálelas mientras las gira en sentido contrahorario. Si el cortador anular queda atascado en la pieza, detenga la unidad inmediatamente para evitar lesiones físicas. Desconecte el taladro de la fuente de alimentación y afloje el cortador anular atascado girando el árbol en sentido contrahorario. No intente darle arranque al motor para liberar el cortador anular atascado. Haga reparar la unidad en centros de reparación autorizados, exclusivamente.

Uso de la herramienta cerca de equipos de soldadura

NO ponga en funcionamiento esta unidad en la misma superficie de trabajo sobre la que se realizan soldaduras. Pueden producirse daños en la unidad, particularmente en el cable de alimentación. El operador también podría sufrir lesiones físicas.

Corta circuitos (si corresponde)

No se recomienda puentear el corta circuitos o cambiarlo por otro de un amperaje superior; si se hace, se invalidará la garantía del producto.

Funcionamiento del corta circuitos

(si corresponde)

El corta circuitos es del tipo térmico. Cuando alcanza el índice de temperatura más elevado, el corta circuitos se dispara y la unidad se apaga. Este es un dispositivo de protección que se puede restablecer después de un lapso de 5 a 10 minutos. Para restablecerlo, presione el botón del corta circuitos hacia adentro. Si no ocurre nada, deje que la unidad se enfríe un poco más hasta que, una vez oprimido el botón, este se mantenga en esa posición.

Guarde todas las advertencias e instrucciones para consultas futuras.

INSTRUCCIONES SOBRE LA CADENA DE SEGURIDAD

SIEMPRE que se ponga en funcionamiento el taladro, se debe utilizar una cadena de seguridad.

La cadena de seguridad evita que el taladro se caiga si se produce un corte del suministro eléctrico o si el imán se suelta de la superficie de trabajo. La cadena de seguridad se sujeta al taladro al pasar por el anillo en D en la parte posterior de la unidad y continuar alrededor del material y/o la superficie de trabajo. Ajuste la cadena hasta que quede firmemente sujeta.



FUNCIONAMIENTO DE LOS CONTROLES ANTES DE LA INSTALACIÓN DEL CORTADOR HOUGEN



PLACA DE INTERRUPTORES DEL PANEL DE CONTROL

IMPORTANTE: antes de encender la máquina, es importante que el operador sepa cómo interactúa el INTERRUPTOR DE SEGURIDAD con el INTERRUPTOR DEL IMÁN y los INTERRUPTORES DEL MOTOR. **LEA LAS INSTRUCCIONES DE LA LUZ INDICADORA DEL INTERRUPTOR DE SEGURIDAD.**

INTERRUPTOR DE SEGURIDAD: está ubicado en la base del taladro. Solo permitirá que el motor funcione cuando el imán esté correctamente asentado en una superficie de trabajo limpia y plana. Si detecta la separación de la unidad, este interruptor apagará el motor. (Vea página 2 ubicación de interruptor de seguridad)

INTERRUPTOR DE ENCENDIDO/APAGADO DEL IMÁN: activa y desactiva la base magnética y enciende el interruptor de seguridad. Una vez hecho esto, se puede presionar el interruptor de arranque del motor para encenderlo.

INTERRUPTORES DE ARRANQUE/PARADA DEL MOTOR: arrancan y detienen el motor.

1. Coloque el taladro magnético sobre una placa de acero limpia y plana, que tenga un grosor mínimo de 3/8".
2. Conecte la unidad a una fuente de alimentación de CA adecuada. **NO utilice el taladro con alimentación de CC.**
3. Localice el interruptor de encendido y apagado del imán y el interruptor de arranque y parada del motor.
4. **NOTA: todo corte de la alimentación eléctrica desactivará la base magnética y apagará el motor. Cuando se restablezca el suministro eléctrico, el imán volverá a activarse, pero el motor solo se encenderá si se presiona el interruptor de arranque.**

LUZ INDICADORA DEL INTERRUPTOR DE SEGURIDAD

**** LA LUZ DEL INTERRUPTOR DE SEGURIDAD SE ENCENDERÁ Y SE MANTENDRÁ ENCENDIDA MIENTRAS EL TALADRO PERMANECE ENCHUFADO ****

La luz indicadora del interruptor de seguridad es una característica de seguridad estándar en los taladros magnéticos portátiles de Hougen. Su función consiste en advertirle al usuario que se ha presentado una situación poco segura. Su objetivo es para informar al usuario que el interruptor detector de elevación está activo.

Si la luz es verde:

El interruptor de seguridad muestra una luz de color verde durante el funcionamiento normal. Los interruptores de "encendido" y "apagado" del motor funcionan normalmente.

Si la luz es roja:

Se ha producido un problema en el interruptor de seguridad que debe solucionarse. Causas posibles:

- El interruptor de seguridad tiene una falla. Haga reparar el taladro.
- La superficie o el material de trabajo son desiguales. Revise la superficie de trabajo para controlar que no sea irregular.
- Hay suciedad o virutas debajo del imán. Limpie la superficie de trabajo.

La prueba de un interruptor de seguridad:

Antes de operando el taladro siempre probar el interruptor de seguridad. Para probarlo... ponga el taladro sobre la superficie de trabajo y enchúfelo a un toma de corriente. Mueva el taladro para que el imán se levante del superficie de trabajo. La luce del interruptor de seguridad debe cambiarse de verde a rojo. Si la luz se queda verde o rojo un problema existe con el interruptor de seguridad que tiene que estar corregido. (Por ejemplo... el interruptor es defectuoso, el embolo de seguridad en la base del imán esta trancada en posición, etc) Por favor corrija en hace la prueba de nuevo antes de usar el taladro.



PLACA DE INTERRUPTORES DEL PANEL DE CONTROL

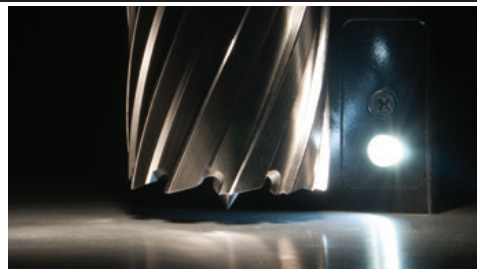
El material debe tener un grosor mínimo de 3/8". Si es más delgado, el "agarramiento" del imán disminuirá.

HOUGEN MANUFACTURING RECOMIENDA SOLUCIONAR ESTOS PROBLEMAS PARA QUE SE PONGA LA LUZ VERDE. ESTO INDICARÁ QUE LA UNIDAD FUNCIONA DE MANERA SEGURA.

Si desea formular alguna pregunta, comuníquese con el Servicio Técnico de Hougen Manufacturing al (810) 635-7111.

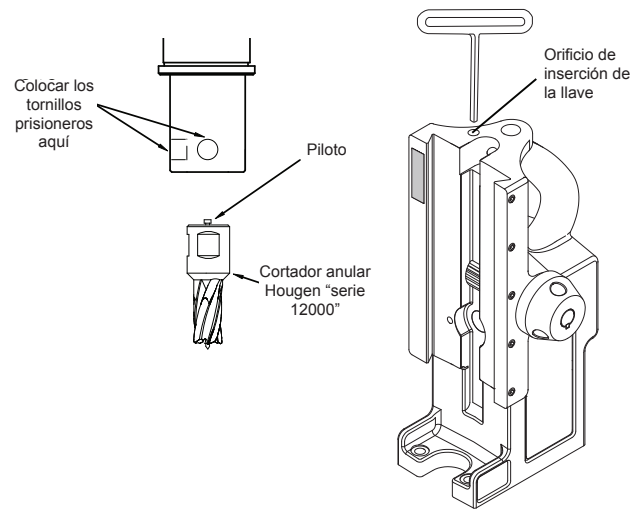
INTERRUPTOR DE LA LUZ DEL PILOTO

La luz del piloto es una característica estándar en los taladros magnéticos portátiles de Hougen. Su propósito es iluminar el área de la superficie de trabajo para facilitar la visualización del piloto.



INSTALACIÓN DEL CORTADOR ANULAR HOUGEN EN EL ÁRBOL

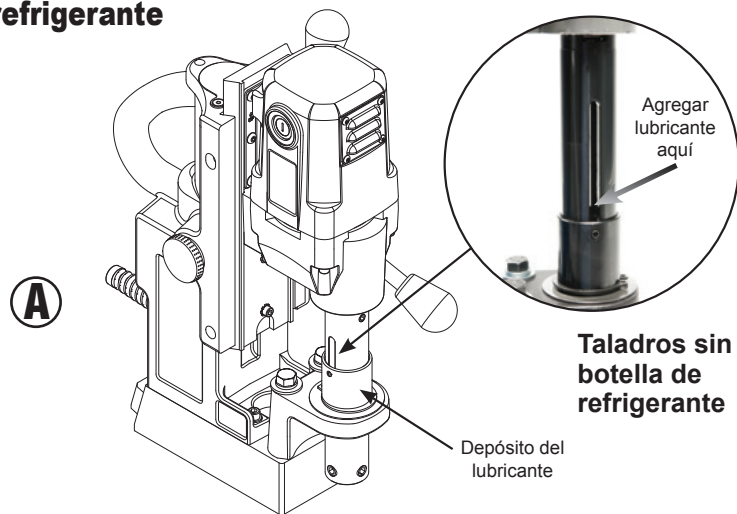
1. Desconecte el taladro de la fuente de alimentación y retire la llave con mango en T del orificio de inserción que está situado en la parte superior de la herramienta.
2. Apoye el taladro sobre uno de los laterales, con las manijas de avance hacia arriba, o asegúrese de que el árbol no toque la mesa si la unidad se encuentra en la posición de funcionamiento normal.
3. Gire las manijas de avance hasta que los tornillos prisioneros de montaje del cortador anular queden a la vista, y retire los tornillos.
4. Inserte el piloto adecuado en el extremo del vástago del cortador anular Hougen.
5. Inserte el cortador anular Hougen hasta que la cara plana del vástago esté alineada con los orificios de los tornillos prisioneros y quede totalmente perpendicular al eje de los orificios de los tornillos prisioneros.
6. Inserte los tornillos de retención y ajuste. Revise para asegurarse que el cortador está asegurado.



FUNCIONAMIENTO DEL DEPÓSITO DE LUBRICANTE PARA CORTE

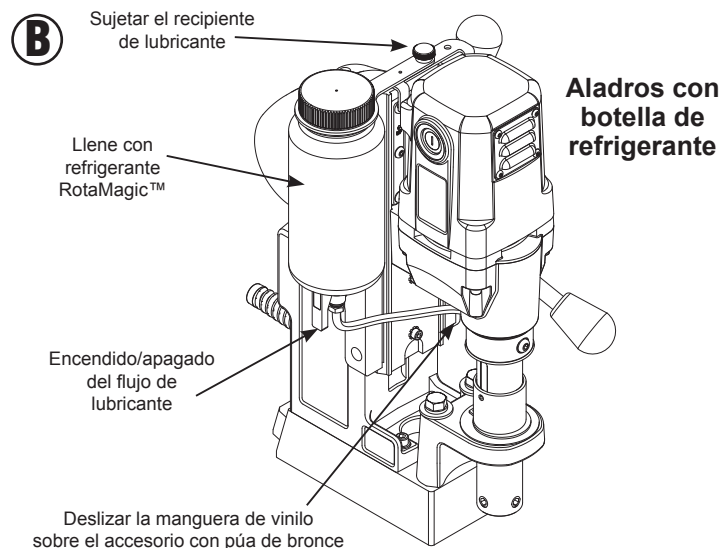
Para resultados mejores siempre use refrigerante

1. Con el taladro magnético in posición de operación, gire los mangos de alimentación para que el cortado y piloto estén sobre la superficie de trabajo.
2. Con el imán ENCENDIDO y el motor APAGADO
 - A) Para taladros sin botellas ... llene el deposito en el árbol mediante la introducción de líquido de corte ROTAMAGIC por los ranuras en el árbol. El REFRIGERANTE NO DEBE ESCAPARSE AFUERA.
 - B) Para taladros con botella de refrigerante... adjuntar botella como instruye diagrama y llene con refrigerante.
3. Prueba capacidades de medición del arbol/cortador/ piloto conjunto (imán INCENDIDO- motor APAGA DO) alimentando el árbol suavemente hacia a su perficie de trabajo hasta que el piloto esta empujado en el cortador, así permitiendo que el líquido salga hacia la superficie de trabajo por la ranura en el piloto.



Taladros sin botellas de refrigerante...

4. Para lubricación correcta, todo el líquido en el deposito debe vaciar afuera sobre la superficie de trabajo en nada menos de 15 segundos y no más rápido de 30 segundos.
5. El deposito en el árbol agarra suficiente refrigerante para cortando aproximadamente un agujero .
* Este metido de usando el refrigerante también se puede usar si la botella se pierde.
6. Para taladros con botella de refrigerante usa la palanca de encendido/apagado para ajustar la corriente de refrigerante
7. Para perforaciones horizontal o encima la cabeza use Slick-Stick™ lubricante.



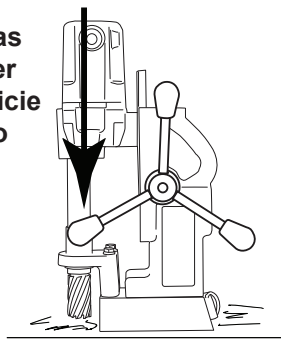
INSTRUCCIONES DE OPERACIÓN

Siempre recuerde que la fuerza de atracción del imán está directamente relacionada con el grosor de la pieza de trabajo y el estado de la superficie. Dado que la atracción magnética disminuye con materiales más delgados o superficies desiguales, se debe sujetar el taladro a la pieza de trabajo mecánicamente para cortar materiales finos (de un grosor de 3/8" o menos) o sobre superficies desparejas.

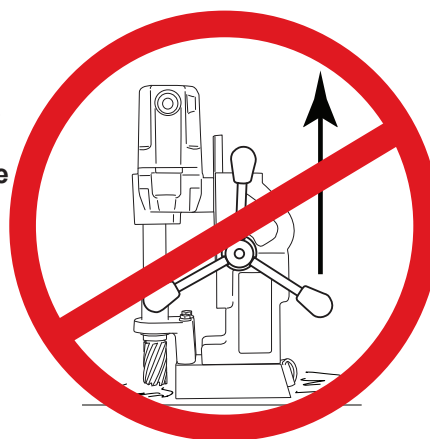
1. Asegúrese de que la pieza de trabajo y la parte inferior del imán no contengan virutas, aceite, etc.
2. Verifique interruptor de seguridad trabaja correctamente (vea luce indicador de interruptor de seguridad sección).
3. Posición la perforación deslizando y suavemente alimentando el árbol para que la punta del piloto está tocando el centro de donde el agujero ser.
4. **Sujete la unidad a la pieza de trabajo con la cadena de seguridad.**
5. Presione el interruptor de encendido del imán.
6. Gire la manija de avance para elevar el cortador anular hasta que el piloto quede encima de la superficie de trabajo.
7. Llene el depósito de refrigerante o la botella de refrigerante adjunta, según corresponda.
8. Cerciórese de que el cortador anular no esté en contacto con la pieza de trabajo y presione el interruptor de arranque del motor para encenderlo.
9. Mueva el cortador anular Hougen lentamente en dirección a la pieza de trabajo. Solo deberá aplicar plena fuerza en las manijas de avance una vez que la trayectoria de perforación haya quedado establecida a una profundidad de 1/16", aproximadamente.
10. **Disminuya la presión de avance** cuando el cortador anular esté a punto de atravesar la pieza de trabajo.
11. Una vez terminado el corte, presione el interruptor de parada del motor para apagarlo. Gire las manijas de avance para levantar el árbol y expulsar así el bocado central sólido, si aún no se soltó.
12. Presione el interruptor de apagado del imán.
13. **Desconecte el taladro de la fuente de alimentación.**
14. De ser necesario, retire las virutas del cortador anular y del imán, preferentemente con guantes de cuero y/o tenazas. Desconecte la cadena de seguridad para mover la unidad a otra posición de perforación.

Cuando perforando, especialmente horizontalmente o sobre la cabeza, siempre aplique presión hacia la superficie de trabajo. Nunca jale lejos de la superficie de trabajo como esto puede debilitar la potencia de sujeción del imán.

Use manijas para mover hacia superficie de trabajo



Nunca jale las manijas lejos de la superficie de trabajo



MANTENIMIENTO

Para minimizar el desgaste de las piezas móviles, asegurarse de que el taladro magnético funcione sin problemas y prolongar su vida útil, se debe realizar el siguiente procedimiento de mantenimiento periódicamente, según el uso.

1. Ocúpese regularmente de apretar todos los sujetadores y reemplazar las piezas gastadas.
2. Revise las escobillas del motor y reemplácelas si están gastadas.
3. Revise el cable de alimentación y el cable que conecta el panel con el motor. Si están agrietados o pelados, llévelos a un centro de reparación para reemplazarlos.
4. Aplique grasa en las colas de milano deslizantes, los retenedores de bronce y la cremallera del engranaje de avance. Para obtener mejores resultados, utilice el lubricante Cyprina-RA de Shell u otro similar.
5. Retire el árbol y aplique grasa en el cojinete de la escuadra de soporte delantera. Utilice el lubricante Cyprina-RA de Shell u otro similar.
6. El embolo de seguridad siempre debe estar limpio y periódicamente lubricado con aceite de penetración. Si necesario quite el imán del taladro y saque el conjunto del interruptor de seguridad del imán. Empuje el embolo afuera del imán. Limpie suciedad de lo adentro a alrededor del agujero del embolo en el imán. Cubrir el embolo con antiadherente. Reemplace el embolo en el conjunto de interruptor de seguridad y ajuste los tornillos. Recolecte el imán al cuerpo del taladro.



CONSEJOS PARA UN MEJOR FUNCIONAMIENTO

1. Mantenga el interior del cortador Hougen libre de virutas; ya que estas interferirán en la profundidad máxima del corte, podrían obstaculizar el flujo de lubricante y hacer que se rompa el cortador.
2. Asegúrese de que la pieza de trabajo, la máquina, el árbol y el cortador Hougen permanezcan limpios y sin virutas.
3. Apriete todos los pernos y sujetadores regularmente.
4. Recomendamos utilizar un lubricante para corte liviano, de baja viscosidad (preferentemente, lubricante para corte Hougen).
5. Revise ocasionalmente el nivel de lubricante para corte. La falta de lubricante para corte podría hacer que el cortador Hougen se congele durante la perforación, se atasque el bocado central sólido y se reduzca la vida útil del cortador.
6. Siempre comience el corte aplicando poca presión de avance, para luego ir incrementándola gradualmente hasta lograr la máxima velocidad de corte.
7. Reduzca la presión cuando el cortador anular esté a punto de atravesar la pieza, al finalizar el corte.
8. Asegúrese de que las colas de milano deslizantes, los retenedores de bronce y la cremallera de avance estén siempre lubricados, limpios y sin virutas.
9. Si el bocado central sólido cuelga del cortador anular, apague el motor y apoye el cortador anular sobre una superficie plana. Normalmente, esto hace que el bocado central sólido ladeado se enderece y sea expulsado.
10. Al realizar perforaciones de grandes diámetros u orificios profundos, posiblemente sea necesario detenerse en la mitad del procedimiento a fin de agregar lubricante para corte y retirar las virutas del área del árbol. (Cuando lo haga, **NO** levante el cortador anular para retirarlo del orificio, ya que podrían ingresar virutas debajo de los dientes del cortador anular y esto hará difícil el reinicio del corte).

La causa principal de desgaste prematuro de los cortadores anulares es insuficiente presión durante el corte.

Si no aplica suficiente presión al cortador anular durante la operación de corte, se reducirá la vida útil de la herramienta.

***Cuando tengan duda,
llámanos... Estaremos
encantados de ayudarle!***

**(810) 635-7111
tech@hougen.com**



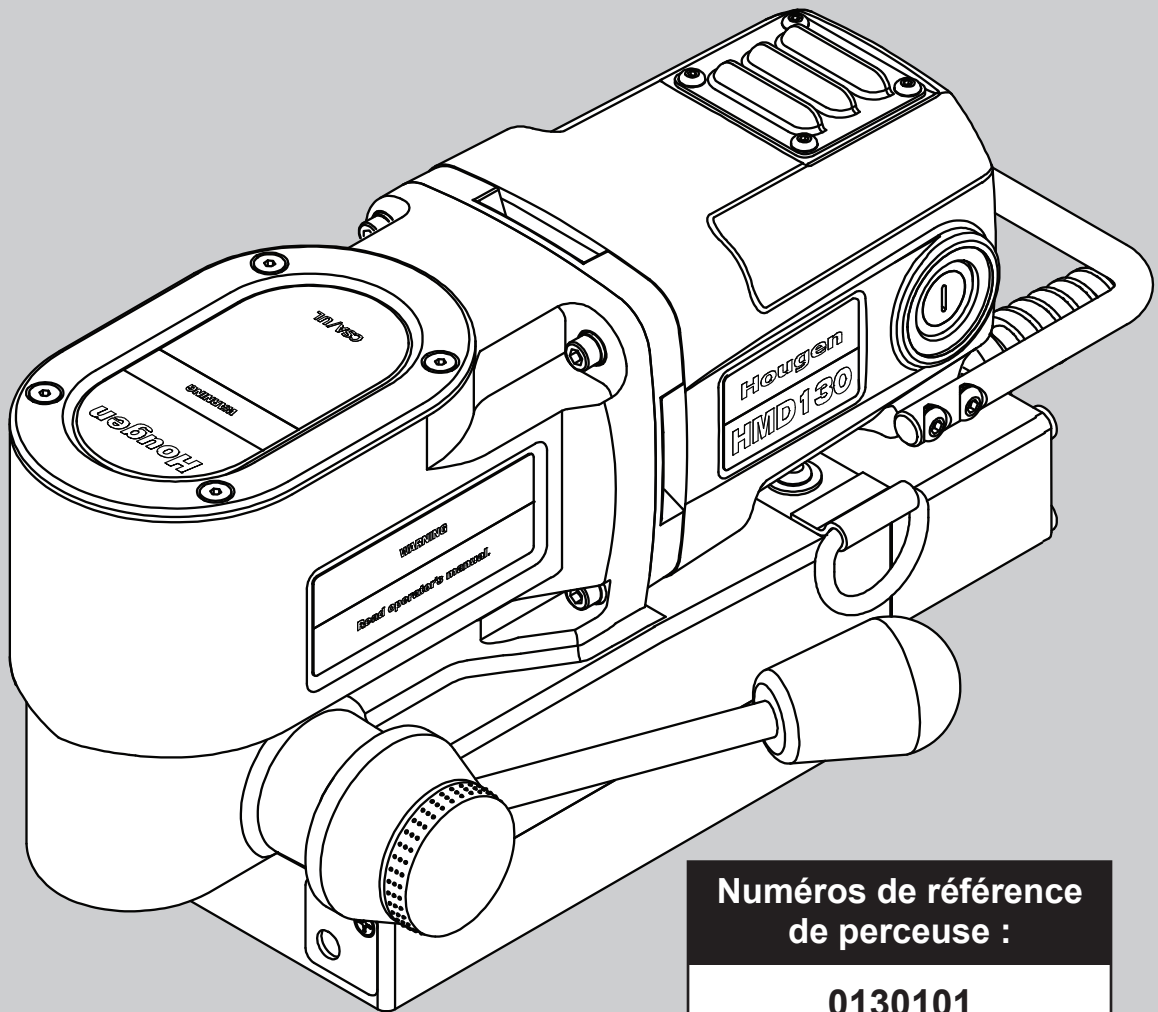
HOUGEN MANUFACTURING, INC.

3001 Hougen Drive • Swartz Creek, MI 48473 USA
Ph: (810) 635-7111 • Fax: (810) 635-8277
info@hougen.com • www.hougen.com



MANUEL D'UTILISATION

PERCEUSE MAGNÉTIQUE PORTATIVE SÉRIE HMD130



Numéros de référence
de perceuse :

0130101

POUR USAGE AVEC LES FRAISES ROTALOC PLUS™

Français

PERCEUSE MAGNÉTIQUE PORTATIVE HOUGEN® MODÈLE SÉRIE HMD130

Bienvenue chez Hougen

Félicitations d'avoir acheté la perceuse magnétique portable Hougen®. Ce modèle est conçu pour percer rapidement et efficacement des trous d'une qualité supérieure. Grâce à son souci constant d'innovation et de développement, Hougen s'engage à fournir des outils de perçage et des produits permettant d'améliorer la productivité.

Avant d'essayer d'utiliser cette perceuse magnétique portable neuve, prière de lire d'abord toutes les instructions, qui comprennent le manuel d'utilisation et l'étiquette d'avertissement située sur l'unité elle-même. Utilisé et entretenu correctement, ce modèle offrira des années de perçage efficace et performant. Encore merci d'avoir choisi notre produit et bienvenue chez Hougen.

Caractéristiques techniques

Cutter Type.....RotaLoc Plus
Hole Capacity.....1/2" to 1-3/8" (12mm-35mm)
Depth of Cut.....1" (25152mm)
Motor.....450 RPM, 8A
Net Weight.....23.4 lbs. (10.6 kg)

Spécification pour les niveaux sonores

Pression acoustique pondérée LpA = 88,9 dB(A)
Incertitude de la pression acoustique pondérée KpA = 3 dB(A)
Puissance acoustique pondérée LwA = 101,9 dB(A)
Incertitude de la puissance acoustique pondérée KwA = 101,9 dB(A)

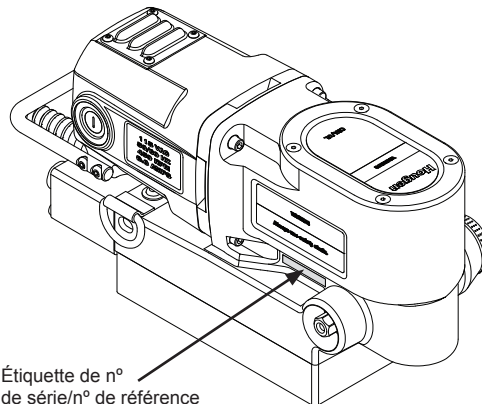


Durée de fonctionnement approuvée: 2 minutes "ON", 3 minutes "OFF"

Il existe de nombreuses versions de la perceuse ultracompacte. Se reporter à l'étiquette de numéro de série/numéro de référence sur le boîtier pour trouver la description détaillée appropriée.

N° de réf Description

0130101 HMD130 compacte, 115 V



Étiquette de n° de série/n° de référence

DÉBALLAGE DE LA PERCEUSE MAGNÉTIQUE NEUVE

- Ouvrir le carton d'expédition et retirer les paquets contenant la documentation et le matériel de montage.
- Lire et suivre toutes les instructions** avant d'essayer d'utiliser la perceuse magnétique neuve.
- Veillez visiter Hougen.com pour enregistrer votre appareil maintenant. Il est important que Hougen Manufacturing, Inc. ait une trace de l'identité du propriétaire du produit.
- Ouvrir le paquet contenant le matériel de montage et vérifier le contenu.
 - 17059** Sangle de sécurité
 - 08511** Poignées d'avance (3)
 - 08512** Poignées d'avance (3)
 - 17021** Pommeaux de poignée d'avance (3)
 - 11741** RotaMagic
 - 11746** Slick-Stik
- À l'aide de la poignée de la perceuse magnétique, soulever l'unité pour la sortir du carton d'expédition.
- Retirer tout le matériel d'emballage et de fixation de la perceuse.
- Visser le pommeau sur la poignée d'avance, puis visser la poignée dans le moyeu. Ne pas trop serrer sous peine d'endommager les pommeaux.
- La perceuse magnétique a été réglée à l'usine avant d'être expédiée. Vérifier que toutes les vis de montage du moteur et vis de montage de l'aimant sont bien serrées et ne se sont pas desserrées sous l'effet des vibrations lors du transport.
- Votre nouvelle perceuse magnétique compacte utilise des fraises Hougen RotaLoc Plus™.

Lire une nouvelle fois les avertissements concernant la sécurité qui figurent dans le manuel d'utilisation et sur la perceuse pour éviter toute blessure. Suivre les procédures d'utilisation.

INDEX

Bienvenue chez Hougen.	2	Vue éclatée HMD130	8
Consignes de sécurité importantes	3-4	Nomenclature	9
Témoin lumineux de commutateur de sécurité	4	Schéma et nomenclature du moteur	10
Instructions d'utilisation	5	Série Rotaloc de fraises	11
Installation de la fraise Rotaloc Plus	6	Informations sur la garantie limitée	11
Schéma du panneau de commande	7	Centres de réparations sous garantie agréés par l'usine	12

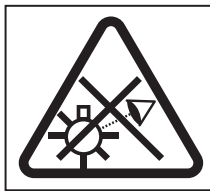
AVERTISSEMENT



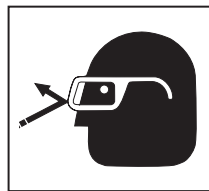
Les fraises sont tranchantes. Porter des gants pour installer la fraise sur l'arbre ou l'en retirer. Ne pas saisir une fraise en rotation.



Pour éviter toute décharge électrique, ne pas utiliser les outils électriques près de zones humides, ni là où ils risquent de se mouiller.



Ne pas fixer l'éclairage de travail.



Toujours porter des lunettes de protection lors de l'utilisation d'outils de perçage, ou à proximité d'une opération de perçage.



La débouchure est éjectée à la fin du perçage. Ne pas orienter la fraise ou l'arbre de telle manière que la débouchure risque de frapper quelqu'un aux alentours ou en dessous lorsqu'elle est éjectée.

CONSIGNES DE SÉCURITÉ IMPORTANTES



AVERTISSEMENT :

Lire tous les avertissements, consignes, illustrations et caractéristiques techniques fournis avec cet outil électrique. Si toutes les consignes énumérées ci-dessous ne sont pas suivies, il y a risque de décharge électrique, d'incendie ou de blessures graves.

1. Sécurité de la zone de travail

- Maintenir la zone de travail propre et bien éclairée. Les établis encombrés et les zones sombres sont propices aux accidents.
- Ne pas utiliser d'outils électriques s'il y a risque d'explosion, par exemple en présence de liquides, de gaz ou de poussières inflammables. Les outils électriques génèrent des étincelles qui risquent d'enflammer les poussières ou les émanations.
- Maintenir les enfants et les curieux à l'écart lors de l'utilisation d'un outil électrique. Les distractions peuvent faire perdre la maîtrise de l'outil.

2. Sécurité électrique

- Les fiches de l'outil électrique doivent correspondre à la prise. Ne jamais modifier la fiche de quelque manière que ce soit. Ne pas utiliser d'adaptateurs avec les outils électriques mis à la terre. Les fiches et prises correspondantes non modifiées réduisent le risque de décharge électrique.
- Éviter tout contact corporel avec les surfaces mises à la terre telles que les tuyaux, les radiateurs, les cuisinières et les réfrigérateurs. Le risque de décharge électrique augmente si le corps est relié à la terre.
- Ne pas exposer les outils électriques à la pluie ou à l'humidité. L'eau pénétrant dans un outil électrique augmente le risque de décharge électrique.
- Ne pas malmener le cordon. Ne jamais se servir du cordon pour porter ou débrancher l'outil électrique. Tenir le cordon à l'écart de la chaleur, de l'huile, des arêtes tranchantes et des pièces en mouvement. Les cordons endommagés ou emmêlés augmentent le risque de décharge électrique.
- Pour utiliser un outil électrique à l'extérieur, se servir d'une rallonge d'extérieur conçue pour être employée à l'extérieur. L'utilisation d'un cordon conçu pour l'extérieur réduit le risque de décharge électrique.
- S'il est inévitable d'utiliser un outil électrique dans un endroit humide, utiliser une alimentation protégée par un disjoncteur différentiel de fuite à la terre (DDFT). L'utilisation d'un DDFT réduit le risque de décharge électrique.

3. Sécurité personnelle

- Rester vigilant, faire attention et faire preuve de bon sens lors de l'utilisation d'un outil électrique. Ne pas utiliser un outil électrique en étant fatigué ou sous l'effet de drogues, de l'alcool ou de médicaments. Un instant d'inattention lors de l'utilisation d'outils électriques peut entraîner des blessures graves.
- Utiliser un équipement de protection individuelle. Toujours porter des lunettes de protection. Un équipement de protection tel qu'un masque antipoussière, des chaussures à semelle antidérapante, un casque de sécurité ou une protection auditive utilisés dans les conditions appropriées réduira les blessures.

- Prévenir les démarrages involontaires. S'assurer que le commutateur est désactivé avant de brancher l'outil à la source d'alimentation ou au bloc-batterie, de le ramasser ou de le porter. Porter des outils électriques avec le doigt sur le commutateur ou brancher ces outils avec le commutateur activé invite les accidents.
- Retirer les clés de réglage avant de mettre l'outil électrique sous tension. Une clé qui reste attachée à une pièce rotative de l'outil électrique peut entraîner des blessures.
- Ne pas trop étendre les bras. Toujours maintenir l'appui et l'équilibre corrects. Cela donne une meilleure maîtrise de l'outil électrique dans des situations imprévues.
- Porter des vêtements adaptés. Ne pas porter de vêtements amples ni de bijoux. N'approcher ni les cheveux ni les vêtements des pièces en mouvement. Les vêtements amples, les bijoux et les cheveux longs peuvent être pris dans les pièces en mouvement.
- Si des appareils sont fournis pour le raccordement d'équipements d'extraction et de captage des poussières, s'assurer qu'ils sont branchés et utilisés correctement. L'utilisation d'un dispositif de captage des poussières peut réduire les risques liés aux poussières.
- Ne pas laisser la familiarité due à un usage fréquent des outils mener au relâchement et à la négligence des principes de sécurité. Une action négligente peut causer des blessures graves en une fraction de seconde.
- Toujours utiliser une chaîne de sécurité. La monture peut céder.

4. Utilisation et entretien des outils électriques

- Ne pas forcer l'outil électrique. Utiliser l'outil électrique adapté à l'application. L'outil électrique correct permet de mieux faire le travail, en plus grande sécurité, à la vitesse pour laquelle il est prévu.
- Ne pas utiliser l'outil électrique si le commutateur ne permet pas de le mettre sous ou hors tension. Tout outil électrique ne pouvant pas être commandé par le commutateur est dangereux et doit être réparé.
- Débrancher la fiche de la source d'alimentation ou retirer le bloc-batterie, s'il est détachable, de l'outil électrique avant d'effectuer tout réglage, de changer d'accessoire ou de remiser les outils électriques. De telles mesures de sécurité préventives réduisent le risque de démarrage accidentel de l'outil. (Suite page 4)

Conserver tous les avertissements et consignes pour future référence.

CONSIGNES DE SÉCURITÉ IMPORTANTES

- d) Remiser les outils électriques non utilisés hors de portée des enfants et ne laisser personne non familiarisée avec l'outil électrique ou ces consignes utiliser l'outil électrique. Les outils électriques sont dangereux aux mains des utilisateurs non formés.
- e) Entretien les outils électriques et les accessoires. Vérifier la présence d'un mauvais alignement ou de pièces en mouvement qui se coincent, la rupture des pièces et toute autre situation risquant de nuire au fonctionnement des outils. En cas de dommages, faire réviser l'outil électrique avant son utilisation. De nombreux accidents sont causés par des outils électriques mal entretenus.
- f) Maintenir les outils de perçage affûtés et propres. Les outils de perçage bien entretenus avec des bords tranchants affûtés sont moins susceptibles de se coincer et sont plus faciles à maîtriser.
- g) Utiliser l'outil électrique, les accessoires, les forets et toute autre pièce conformément aux consignes, en tenant compte des conditions de travail et de la tâche à effectuer. L'utilisation de l'outil électrique pour un usage autre que celui prévu peut entraîner des situations dangereuses.
- h) Maintenir les poignées et surfaces de préhension propres et exemptes d'huile et de graisse. Des poignées ou surfaces de préhension glissantes ne permettent pas de manier et de contrôler l'outil de manière sécuritaire dans les situations inattendues.

5. Entretien

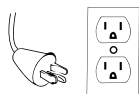
- a) Confier l'entretien de l'outil électrique à du personnel de réparation qualifié qui n'utilisera que des pièces de rechange identiques. Cela assurera la préservation de la sécurité de l'outil électrique.

CONSIGNES DE SÉCURITÉ SUPPLÉMENTAIRES

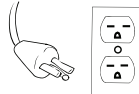
Sécurité du branchement électrique

Cette perceuse magnétique est conçue pour être utilisée sur du 115 V c.a. ou du 230 V à 50–60 Hz. Ne pas essayer de se servir de la perceuse sur des sources d'alimentation ayant d'autres caractéristiques nominales que celles-ci.

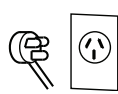
Fiches et prises



115 V typique aux É.-U.



230 V typique aux É.-U.



Fiche 230 V de type I

Des raccordements électriques humides présentent un risque d'électrocution. Pour empêcher le fluide de perçage de couler le long du cordon et d'entrer en contact avec la fiche ou la prise d'alimentation, réaliser une boucle d'égouttement comme illustré. Surélever également les rallonges ou les branchements aux coffrets électriques.



Rallonges

Utiliser uniquement des rallonges à 3 fils munies d'une fiche à 3 contacts avec mise à la terre et de prises tripolaires compatibles avec la fiche de l'outil. Remplacer ou réparer les cordons endommagés. S'assurer que le conducteur est d'un calibre suffisant pour éviter une chute de tension excessive qui entraînerait une coupure de courant et risquerait d'endommager le moteur.

LONGUEUR DE CORDON	CALIBRE DE FIL RECOMMANDÉ	CALIBRE DE FIL RECOMMANDÉ
	MOTEUR 115 V 10 À 12 A	MOTEUR 230 V 5 À 6 A
Jusqu'à 7,6 m (25')	16	18
De 7,9 à 15,2 m (26 à 50')	14	18
De 15,5 à 30,5 m (51 à 100')	10	16
De 30,8 à 61,0 m (101 à 200')	8	14
De 61,3 à 91,4 m (201 à 300')	6	12
De 91,7 à 152,4 m (301 à 500')	4	10

Utilisation des rallonges d'extérieur

Lorsque l'outil est utilisé à l'extérieur, se servir uniquement de rallonges prévues pour un usage extérieur et marquées comme telles.

Consignes de sécurité supplémentaires

L'arbre et la fraise ne doivent jamais être employés comme main courante ou poignée. N'approcher les mains et les vêtements d'aucune pièce en mouvement. Ne pas utiliser les fraises Hougén là où la débouchure éjectée risque de causer des blessures (débouchure éjectée à la fin du perçage). Suivre également toutes les instructions d'utilisation. Ne pas percer de surface qui pourrait renfermer un câblage électrique sous tension. L'entrée en contact avec un fil sous tension lors du perçage risque de mettre sous tension les pièces métalliques exposées de la perceuse. Retirer les copeaux enroulés autour de la fraise et de l'arbre après chaque trou. Après avoir arrêté le moteur et coupé l'alimentation, saisir les copeaux avec des gants en cuir ou des pinces et tirer tout en faisant tourner dans le sens inverse des aiguilles d'une montre. Si la fraise se coincé dans la pièce à traiter, arrêter immédiatement l'unité pour éviter les blessures. Débrancher la perceuse de la source d'alimentation et libérer la fraise coincée en faisant tourner l'arbre dans le sens inverse des aiguilles d'une montre. Ne jamais essayer de libérer la fraise coincée en démarrant le moteur. Confier l'entretien exclusivement à un centre de réparations agréé.

Utilisation près d'un équipement de soudage

NE PAS utiliser cette unité sur une surface de travail où une opération de soudage est en cours. L'unité risquerait d'être gravement endommagée, en particulier le cordon d'alimentation. L'opérateur pourrait aussi être blessé.

Disjoncteur (le cas échéant)

Le remplacement du disjoncteur par un autre d'intensité nominale plus élevée ou le contournement du disjoncteur est déconseillé et annulera la garantie du produit.

Fonctionnement du disjoncteur

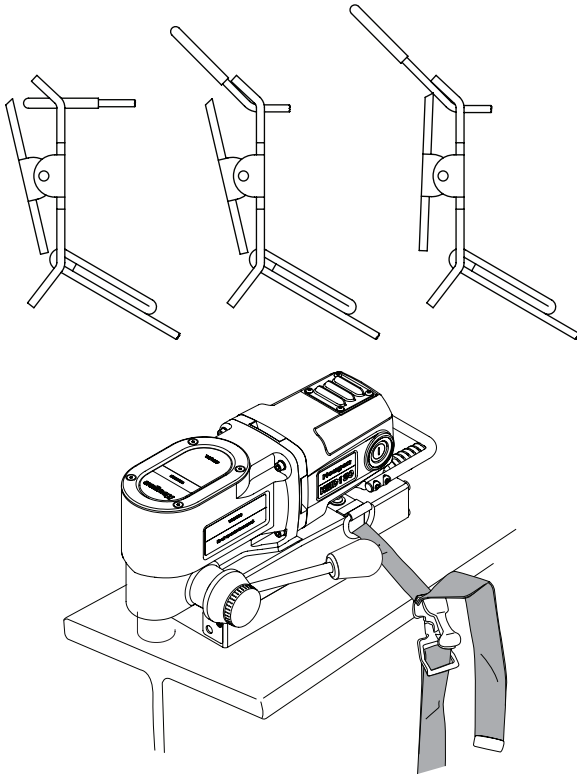
(le cas échéant)

Le disjoncteur est un disjoncteur thermique. Lorsqu'il atteint la température nominale supérieure, il se déclenche et cause l'arrêt de l'unité. Il s'agit d'un dispositif de protection, qui peut être réarmé après 5 à 10 minutes. Pour réarmer le disjoncteur, renfoncer son bouton. S'il ne se réarme pas, laisser l'unité refroidir un peu plus longtemps, jusqu'à ce que le bouton puisse être enfoncé et reste en place.

Conserver tous les avertissements et consignes pour future référence.

INSTRUCTIONS D'UTILISATION

1. Placer la perceuse sur le matériau et repérer le trou de perçage.
2. Mettre le commutateur d'aimant en position MARCHE.
3. Enfiler la sangle de sécurité dans l'ouverture entre le moteur et le boîtier de la perceuse. S'assurer que la sangle ne risque pas d'entraver le mouvement des poignées d'avance. Introduire la languette de la sangle dans la boucle. Cintrer la sangle sur le matériau et le boîtier de la perceuse. Ajuster en cas de mou.



ATTENTION :

- Ne pas approcher la sangle de la zone de perçage, des copeaux et des arêtes vives du matériau.
- Examiner la sangle régulièrement pour détecter les effilochures et dégâts éventuels. Ne pas utiliser une sangle de sécurité qui présente des défauts.

4. Appliquer une quantité généreuse de fluide de perçage ou de lubrifiant en bâtonnet à la fraise. Une lubrification d'appoint pourra s'avérer nécessaire avant la fin du fraisage.
5. Désengager le dispositif de verrouillage et déverrouillage d'avance.

6. Appuyer sans relâcher sur le commutateur de moteur. (Remarque : le commutateur doit être maintenu en position MARCHE durant le fraisage)

ATTENTION : Ne pas exercer une pression d'avance excessive sur la fraise, au risque que l'aimant se sépare du matériau.

FRAISAGE DE MATÉRIAUX À PLUSIEURS ÉPAISSEURS :

Il peut s'avérer difficile de percer la deuxième épaisseur. Une pression d'avance supplémentaire peut être requise (tout en veillant à ne pas forcer, comme indiqué plus haut).

Si la pénétration de la deuxième épaisseur ne se fait pas, sortir la fraise du matériau, éjecter la débouchure, puis nettoyer les copeaux qui restent. Introduire la fraise dans le trou et continuer le perçage.

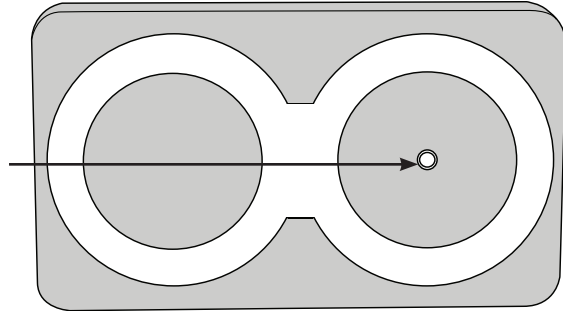
- Relâcher le commutateur de moteur lorsque le perçage est terminé.
 - Rétracter entièrement la fraise du matériau, en éjectant la débouchure.
 - Engager le dispositif de verrouillage et déverrouillage d'avance.
 - Retirer la sangle de sécurité.
7. Mettre le commutateur d'aimant en position arrêt. **ATTENTION :** Maintenir fermement la perceuse en permanence afin d'éviter qu'elle tombe.

OPTIONS DE MÉTHODES D'AVANCE :

- Clé fermée 1/2"
- Cliquet avec douille de 1/2"
- Pas de pinces ni de clé à fourche (elles endommageraient les surfaces de montage de la poignée d'avance)

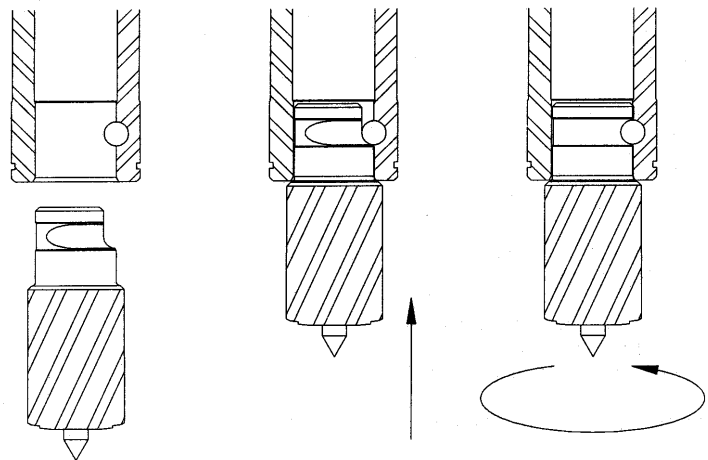
COMMUTATEUR DE SÉCURITÉ

REMARQUE : Le commutateur de sécurité situé dans la base de l'unité arrête le moteur lorsque l'unité remonte. L'aimant reste engagé jusqu'à ce qu'il soit mis hors tension. Il est important de garder cet endroit exempt de saletés et copeaux. Régulièrement vérifier le bon fonctionnement de ce commutateur et, au besoin, le faire réviser en utilisant uniquement un centre de réparations agréé.

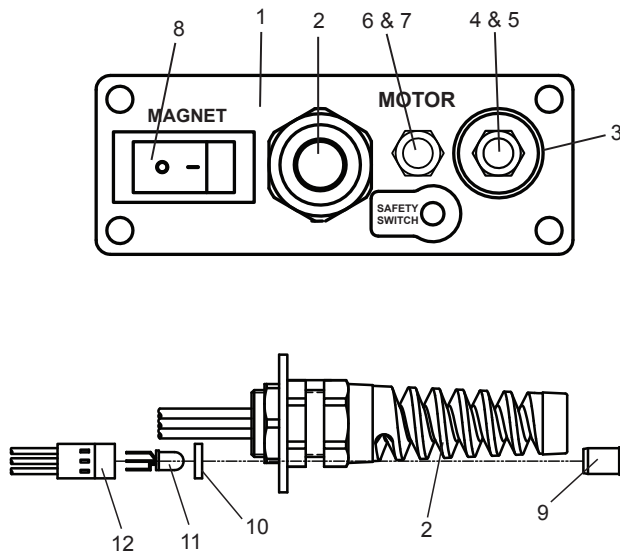


INSTALLATION DE LA FRAISE ROTALOC PLUS™

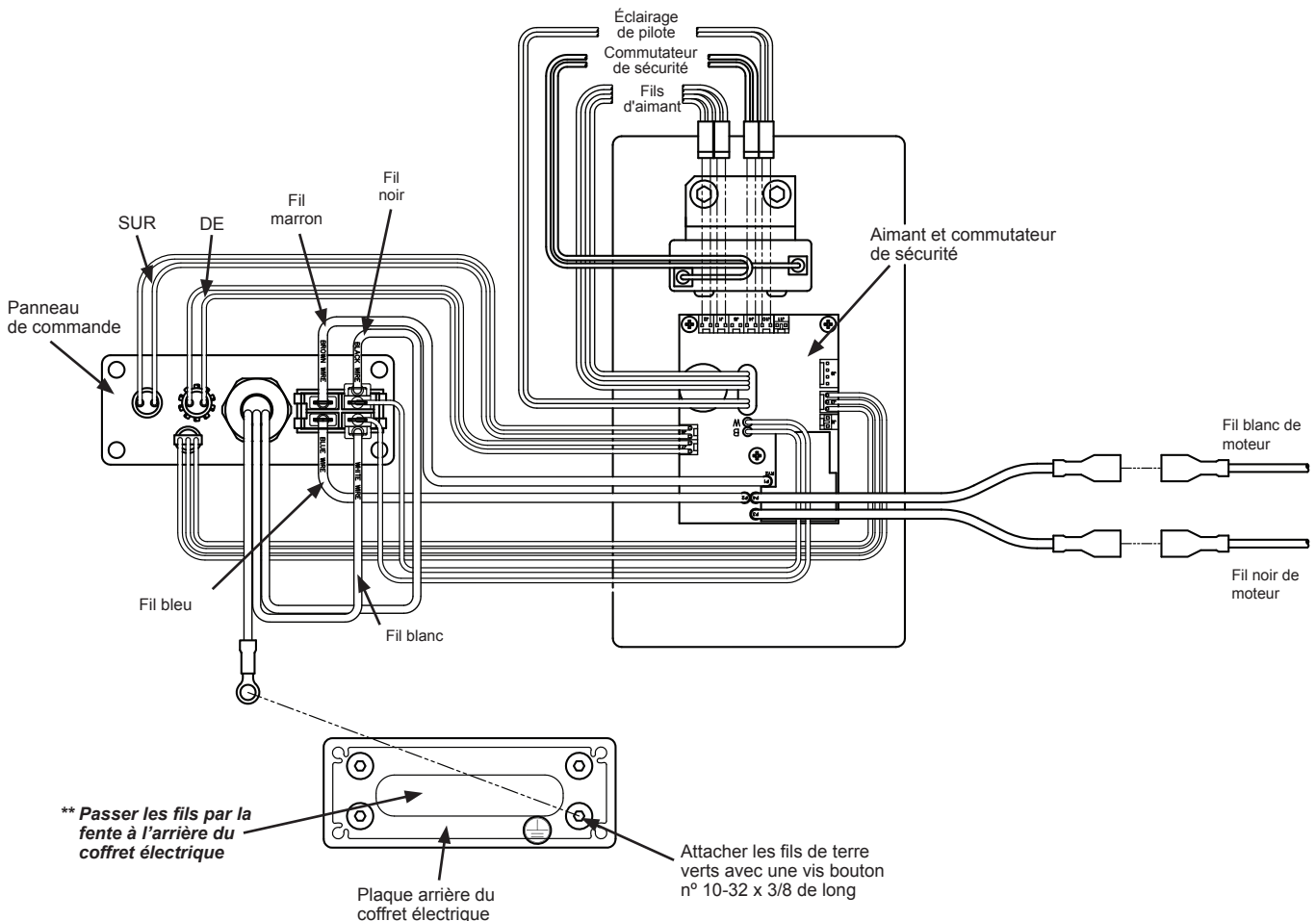
1. Débrancher la machine de la source d'alimentation.
2. Introduire le pilote dans la fraise.
3. Aligner le méplat de la tige avec l'axe de la broche.
4. Introduire la fraise dans la broche.
5. Faire tourner la fraise de 1/4 de tour dans le sens opposé aux cannelures.

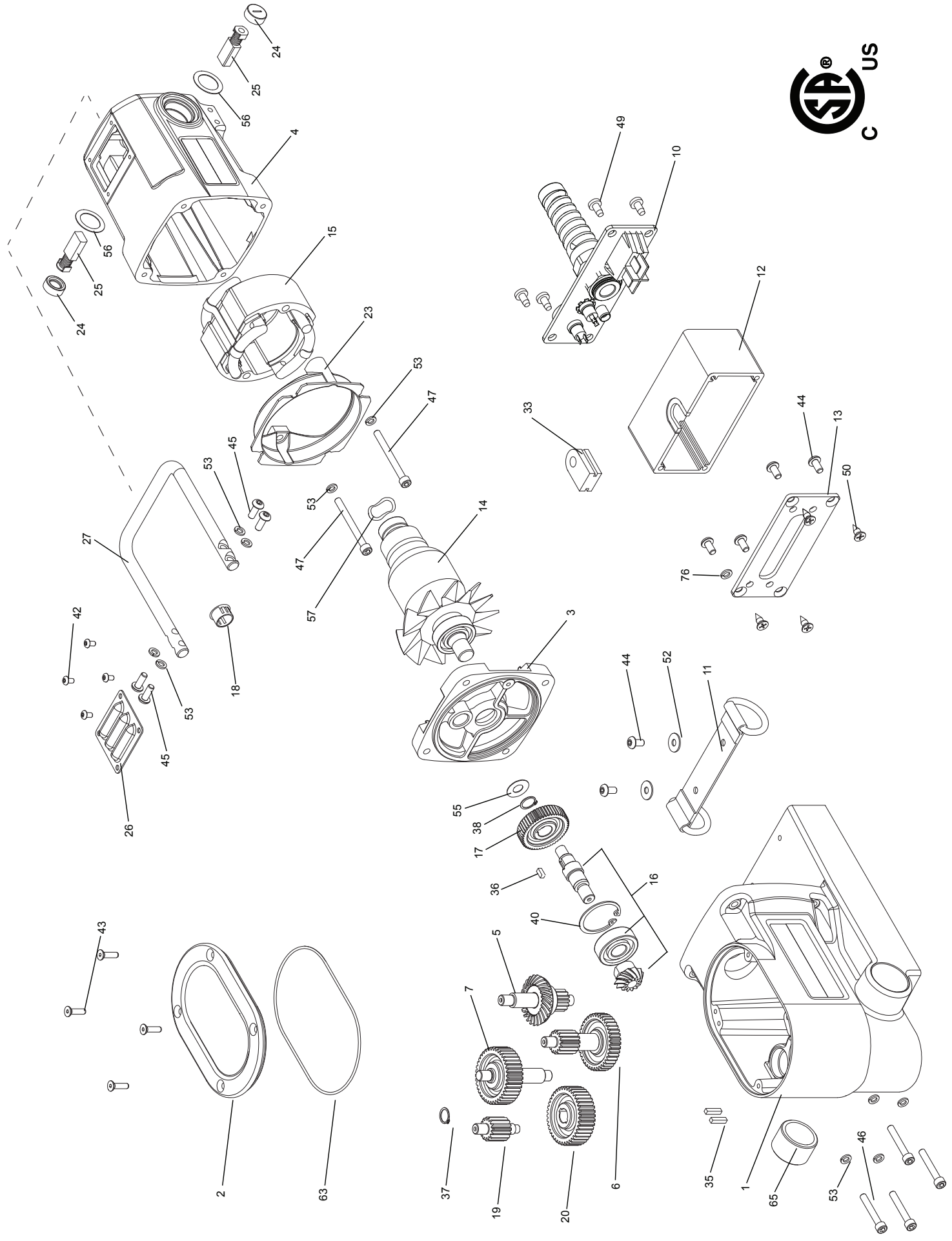


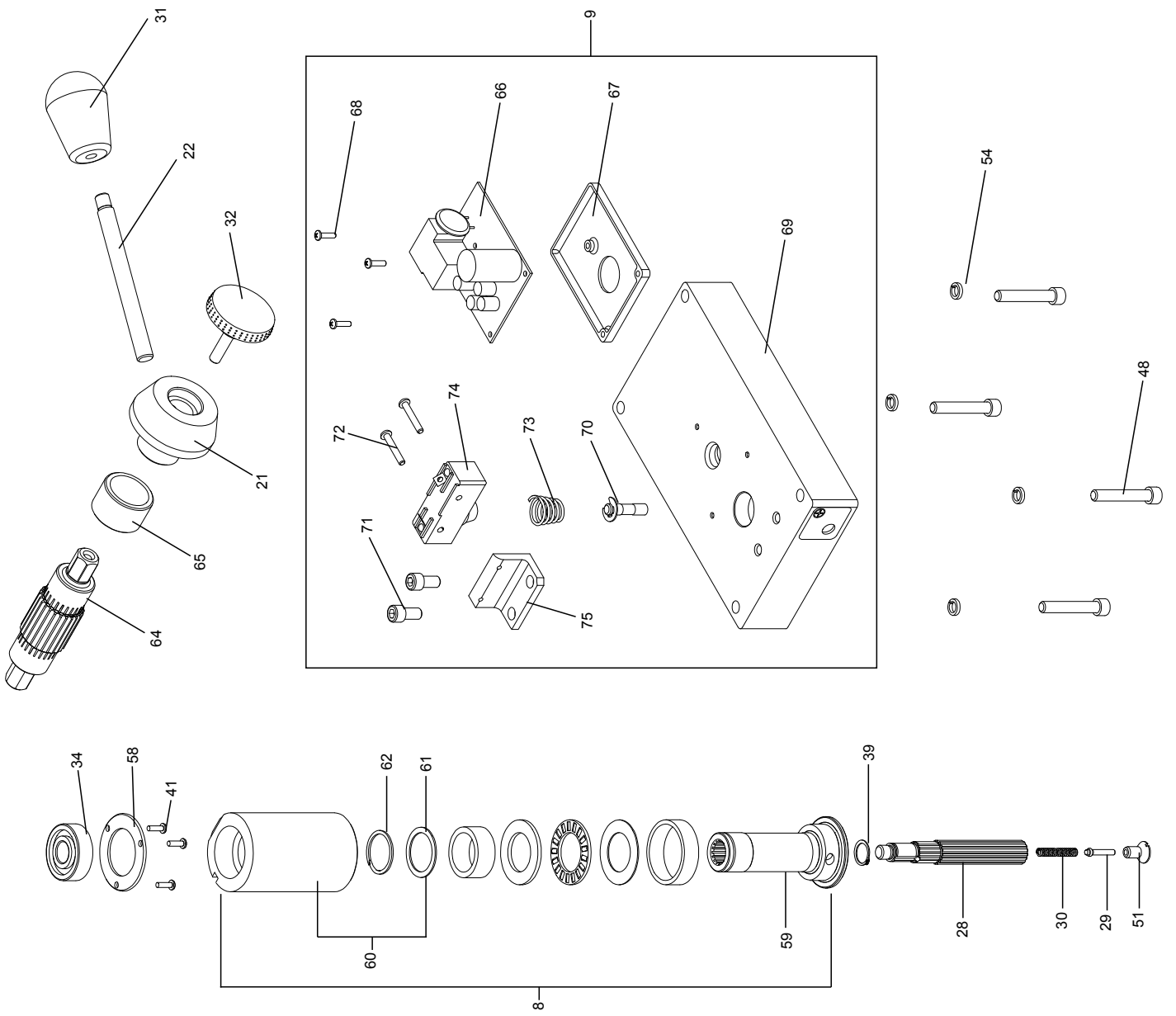
PANNEAU DE COMMANDE



Panneau de commande 08836			
Élément	N° réf.	Description	Qté
1	08829	Façade	1
2	90571	Cordon d'alimentation	1
3	08831	Protection de commutateur	1
4	08832	Commutateur MARCHÉ du moteur	1
5	08834	Couvercle de commutateur ver	1
6	08833	Commutateur ARRÊT du moteur	1
7	08835	Couvercle de commutateur rouge	1
8	08830	Commutateur à bascule	1
9	04879	Lentille transparente	1
10	04878	Pièce d'écartement	1
11	04881	Ampoule	1
12	04877	Faisceau de fils	1







NOMENCLATURE HMD130

N° élément	N° réf.	Description	Qté
1	09514	Boîtier de la perceuse et étiquette	1
2	09513	Bouchon de boîte d'engrenages	1
3	08428	Couvercle de boîte d'engrenages	1
4	08429	Carter du moteur	1
5	09516	Engrenage, 24 et 14 dents	1
6	09517	Engrenage, 39 et 15 dents	1
7	09518	Engrenage, 39 dents	1
8	08433	Arbre et fourreau	1
9	08434	Commutateur/aimant	1
10	08435	Panneau de commande	1
11	08436	Sangle de sécurité	1
12	08827	Coffret électrique	1
13	08828	Plaque d'appui	1
14	17630	Armature	1
15	08439	Bobinage	1
16	08605	Fusée	1
17	08441	Engrenage cylindrique n° 2, 50 dents	1
18	07216	Bouchon	1
19	09520	Engrenage cylindrique n° 7, 15 dents	1
20	08444	Engrenage cylindrique n° 8, 40 dents	1
21	08445	Moyeu d'avance	1
22	08511	Poignée d'avance .370 x 4.0	1
	08512	Poignée d'avance .370 x 2.5	1
23	07846	Chicane	1
24	17622	Capuchon de porte-balais	2
25	17621	Balai en carbone	1
26	07848	Couvercle d'accès aux balais	1
27	08447	Poignée	1
28	09519	Arbre cannelé	1
29	08513	Piston	1
30	17492	Ressort de compression, \varnothing 0,18 x 1,0	1
31	17021	Pommeau ovale	1
32	08449	Bouton à prise en caoutchouc	1
33	08674	Passe-fil — vibration	1
34	17270	Roulement	2
35	17277	Clavette 1/8 carrée x 0,53 de long	2
36	08451	Clavette 1/8 carrée x 5/32 de long	1
37	08456	Bague de retenue, arbre de 0,406	1
38	08452	Bague de retenue, arbre de 7/16	1

N° élément	N° réf.	Description	Qté
39	17475	Bague de retenue, arbre de 12 mm	1
40	08453	Bague de retenue, alésage int. de 1,259	1
41	04718	Vis à tête fraisée n° 4-40 x 3/8 de long	3
42	02385	Vis bouton n° 6-32 x 1/4	4
43	90448	Vis à tête fraisée n° 8-32 x 5/8 de long	4
44	41044	Vis bouton n° 10-32 x 3/8 de long	6
45	90077	Vis bouton n° 10-32 x 1/2 de long	4
46	51044	Vis d'assemblage à six pans creux n° 10-32 x 1 1/4	4
47	07849	Vis d'assemblage à six pans creux n° 10-32 x 2 de long	2
48	40078	Vis d'assemblage à six pans creux 1/4-20 x 1 1/2 de long	4
49	24081	Vis autotaraudeuse à tête fraisée n° 10 x 3/8	4
50	17459	Vis à tête fraisée autotaraudeuse n° 10 x 1/2	4
51	17493	Vis à tête fraisée modifiée 1/4-28	1
52	90237	Rondelle plate n° 10	2
53	50038	Rondelle-frein hélicoïdale n° 10	10
54	04721	Rondelle-frein à collier de serrage 1/4	1
55	17610	Rondelle plate 8 mm	5
56	17632	Rondelle — fibre	2
57	08000	Rondelle élastique	1
58	08454	Rondelle — retenue de roulement	1
59	08481	Arbre	1
60	08482	Fourreau	1
61	08483	Rondelle de butée	1
62	24164	Bague de retenue	1
63	08467	Joint torique	1
64	08463	Engrenage d'avancement, 24 dents	1
65	40231	Douille en bronze	1
66	08646	Carte de circuit imprimé 115 V	1
67	08493	Entretoise — carte électronique	1
68	08494	Vis à tête fraisée n° 4-40 x 7/16	3
69	08491	Aimant — bobinage	1
70	08492	Piston	1
71	10971	Vis d'assemblage à six pans creux 1/4-20 x 1/2	2
72	10972	Vis bouton n° 6-32 x 7/8	2
73	17271	Ressort	1
74	04885	Commutateur de sécurité	1
75	04909	Support de commutateur de sécurité	1
76	10560	Rondelle de Serrure	1

FRAISES ROTALOC PLUS™ POUR LA HMD130

Les fraises RotaLoc Plus™ ont été conçues spécialement pour la HMD130. Elles sont équipées d'une tige de 5/8" de type à baïonnette à changement rapide; profondeur de coupe de la fraise pile coupe de 1". Elles sont faites d'un acier rapide M42 de première qualité et existent en diamètres de 7/16" à 1 3/8" et de 12 mm à 35 mm.

Fraises Rotaloc Plus™ à prof. de perçage 25 mm (1").

À utiliser avec la tige pilote 17810			
17814	7/16"	17900	12mm
17816	1/2"	17902	13mm
17818	9/16"	17904	14mm
17820	5/8"	17906	15mm
17822	11/16"	17908	16mm
17824	3/4"	17910	17mm
17826	13/16"	17912	18mm
17828	7/8"	17914	19mm
17830	15/16"	17916	20mm
17832	1"	17918	21mm
17834	1-1/16"	17920	22mm
17836	1-1/8"	17922	23mm
17838	1-3/16"	17924	24mm
17840	1-1/4"	17925	24.5mm
17842	1-5/16"	17926	25mm
17844	1-3/8"	17928	26mm
		17930	27mm
		17932	28mm
		17934	29mm
		17936	30mm
		17938	31mm
		17940	32mm
		17942	33mm
		17944	34mm
		17946	35mm

Kits de fraises Rotaloc Plus™ à prof. de perçage 25 mm (1")

N° réf.	Description
17802	Le kit contient (3) fraises de 25 mm (1") de prof. de perçage - 1/2", 5/8" et 3/4" de diam. plus (2) pilotes dans une mallette en plastique résistante
17803	Le kit contient (3) fraises de 25 mm (1") de prof. de perçage - 9/16", 11/16" et 13/16" de diam. plus (3) pilotes dans une mallette de transport en plastique
17805	Le kit contient (3) fraises de 25 mm (1") de prof. de perçage - 14 mm, 16 mm et 18 mm de diam. plus (3) pilotes dans une mallette de transport en plastique.

GARANTIE LIMITÉE COMMERCIALE / INDUSTRIELLE

Hougen Manufacturing, Inc. garantit ses foreuses magnétiques portatives, ses foreuses à rail Trak-Star, sa scie hydraulique à rail et ses shakers à peinture Tornado II pendant deux (2) ans, ses perforatrices électro-hydrauliques pour un (1) an, et sa scie Husqvarna et autres produits pendant quatre-vingt-dix (90) jours à compter de la date d'achat contre les défauts dus à un vice de matériau ou de fabrication et réparera ou remplacera (à sa discrétion) sans frais les articles retournés. Cette garantie est nulle et non avenue si l'élément a été endommagé par accident ou du fait d'un usage déraisonnable, d'une négligence, d'un entretien inadéquat, ou d'autres causes ne découlant pas de défauts de matériau ou de fabrication. Aucune autre garantie expresse n'est donnée ni autorisée. Hougen Manufacturing, Inc. ne donne aucune garantie implicite de qualité marchande ou d'adaptation à un usage particulier pour quelque période que ce soit au-delà de la garantie expresse et ne peut être tenue responsable des dommages accessoires ou indirects. Certains pays ou états ne permettent pas d'exclure les dommages accessoires ou indirects ou de limiter la durée d'application d'une garantie implicite et, si cet achat est régi par les lois d'un tel pays ou état, l'exclusion et la limitation mentionnées ci-dessus peuvent ne pas s'y appliquer. Cette garantie donne des droits juridiques spécifiques et d'autres droits qui varient d'un pays ou état à un autre peuvent aussi exister.

Pour bénéficier du service de garantie, renvoyer l'élément ou les éléments en port payé au plus proche centre de réparations sous garantie agréé par l'usine ou à Hougen Manufacturing, Inc., 3001 Hougen Drive, Swartz Creek, Michigan 48473 (USA).

Les perceuses Hougen ne sont garanties que contre les défauts de fabrication. La garantie ne peut éventuellement s'appliquer qu'après une inspection effectuée par Hougen Manufacturing.

CETTE GARANTIE REMPLACE TOUTE AUTRE GARANTIE, EXPRESSE OU IMPLICITE, Y COMPRIS TOUTE GARANTIE DE QUALITÉ MARCHANDE OU D'ADAPTATION À UN USAGE PARTICULIER.

Les détails des photographies et des caractéristiques techniques indiquées sont exacts au moment de l'impression de ce document. Le fabricant se réserve le droit d'apporter des améliorations et des modifications sans préavis. Hougen, Rotabroach et Hougen-Edge sont des marques de commerce exclusives de Hougen Manufacturing Inc.

CENTRES DE RÉPARATIONS SOUS GARANTIE AGRÉÉS PAR HOUGEN

Les employés des centres de réparations sous garantie agréés par Hougen ont été formés en usine pour réviser et réparer adéquatement les perceuses magnétiques portatives Hougen. Pour trouver le centre de réparations sous garantie agréé le plus proche, prière d'aller sur :

www.hougen.com



Hougen Manufacturing, Inc.

P.O. Box 2005 • Flint, MI 48501-2005

3001 Hougen Drive • Swartz Creek, MI 48473

Phone (810) 635-7111 • Fax (810) 635-8277

www.hougen.com • info@hougen.com

© 2023 Hougen Manufacturing, Inc.






Hougen®

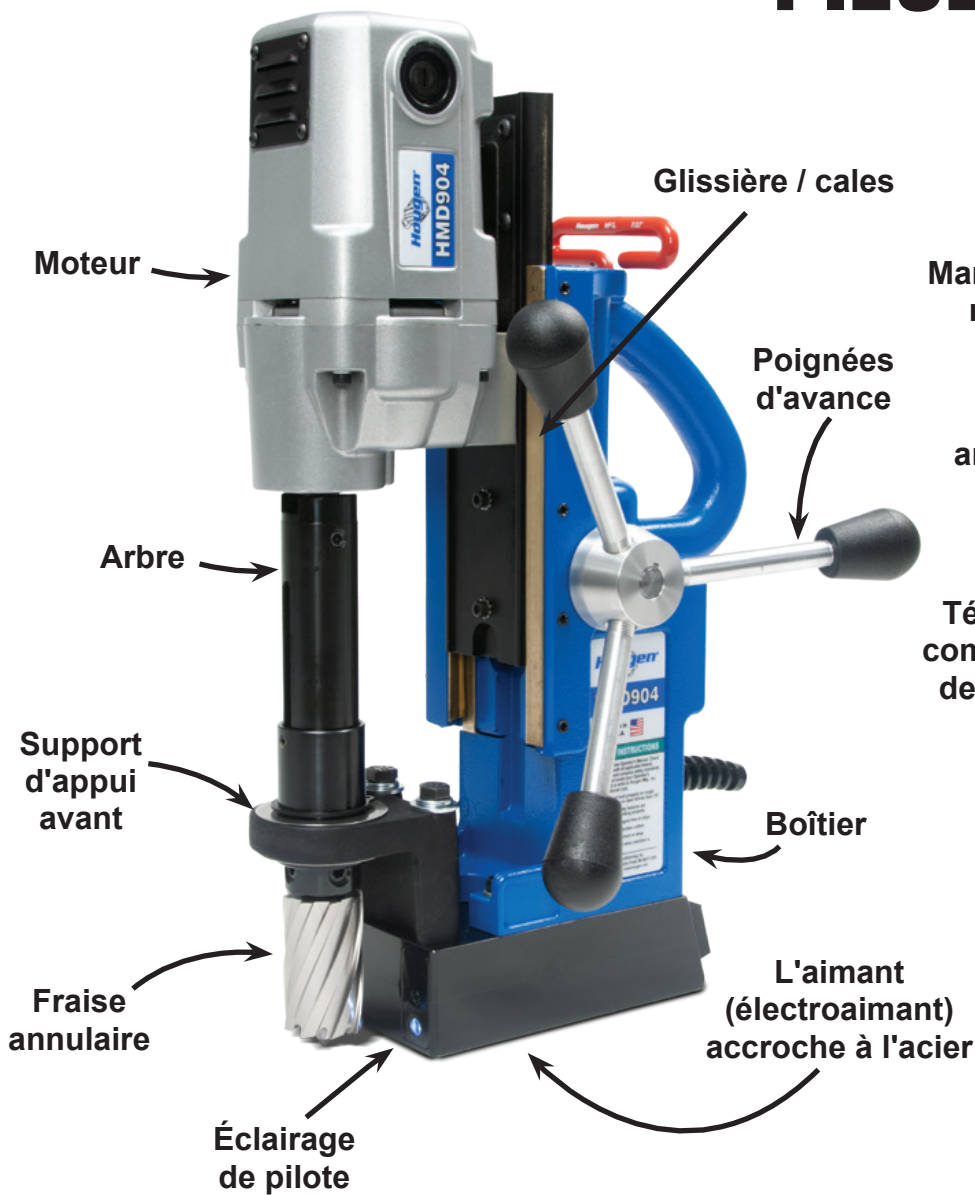
UTILISATION DES PERCEUSES MAGNETIQUES EN TOUTE SECURITE

Français

***Un guide général des
procédures d'utilisation en
toute sécurité***



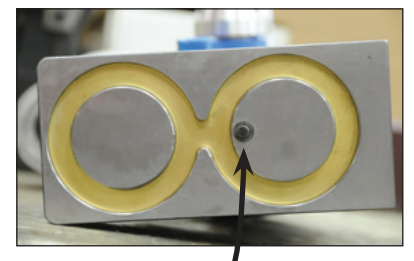
PIÈCES GÉNÉRALES



Panneau de commande typique



Dessous de l'aimant



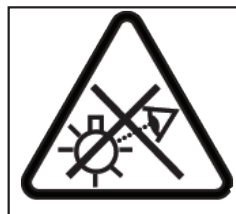
LA SÉCURITÉ AVANT TOUT



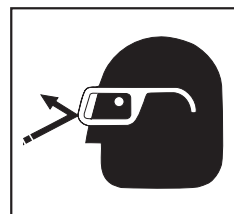
Les fraises sont tranchantes. Porter des gants pour installer la fraise sur l'arbre ou l'en retirer. Ne pas saisir une fraise en rotation.



Pour éviter toute décharge électrique, ne pas utiliser les outils électriques près de zones humides, ni là où ils risquent de se mouiller.



Ne pas fixer l'éclairage de travail.



Toujours porter des lunettes de protection lors de l'utilisation d'outils de perçage, ou à proximité d'une opération de perçage.



La débouchure est éjectée à la fin du perçage. Ne pas orienter la fraise ou l'arbre de telle manière que la débouchure risque de frapper quelqu'un aux alentours ou en dessous lorsqu'elle est éjectée.

Une perceuse magnétique peut être un outil très utile pour percer des trous. Lire et respecter toutes les procédures de sécurité décrites dans le manuel d'utilisation et conformément à la politique de l'entreprise.

CONSIGNES DE SÉCURITÉ IMPORTANTES



AVERTISSEMENT :

Lire tous les avertissements, consignes, illustrations et caractéristiques techniques fournis avec cet outil électrique. Si toutes les consignes énumérées ci-dessous ne sont pas suivies, il y a risque de décharge électrique, d'incendie ou de blessures graves.

1. Sécurité de la zone de travail

- Maintenir la zone de travail propre et bien éclairée. Les établis encombrés et les zones sombres sont propices aux accidents.
- Ne pas utiliser d'outils électriques s'il y a risque d'explosion, par exemple en présence de liquides, de gaz ou de poussières inflammables. Les outils électriques génèrent des étincelles qui risquent d'enflammer les poussières ou les émanations.
- Maintenir les enfants et les curieux à l'écart lors de l'utilisation d'un outil électrique. Les distractions peuvent faire perdre la maîtrise de l'outil.

2. Sécurité électrique

- Les fiches de l'outil électrique doivent correspondre à la prise. Ne jamais modifier la fiche de quelque manière que ce soit. Ne pas utiliser d'adaptateurs avec les outils électriques mis à la terre. Les fiches et prises correspondantes non modifiées réduiront le risque de décharge électrique.
- Éviter tout contact corporel avec les surfaces mises à la terre telles que les tuyaux, les radiateurs, les cuisinières et les réfrigérateurs. Le risque de décharge électrique augmente si le corps est relié à la terre.
- Ne pas exposer les outils électriques à la pluie ou à l'humidité. L'eau pénétrant dans un outil électrique augmente le risque de décharge électrique.
- Ne pas malmenier le cordon. Ne jamais se servir du cordon pour porter ou débrancher l'outil électrique. Tenir le cordon à l'écart de la chaleur, de l'huile, des arêtes tranchantes et des pièces en mouvement. Les cordons endommagés ou emmêlés augmentent le risque de décharge électrique.
- Pour utiliser un outil électrique à l'extérieur, se servir d'une rallonge d'extérieur conçue pour être employée à l'extérieur. L'utilisation d'un cordon conçu pour l'extérieur réduit le risque de décharge électrique.
- S'il est inévitable d'utiliser un outil électrique dans un endroit humide, utiliser une alimentation protégée par un disjoncteur différentiel de fuite à la terre (DDFT). L'utilisation d'un DDFT réduit le risque de décharge électrique.

3. Sécurité personnelle

- Rester vigilant, faire attention et faire preuve de bon sens lors de l'utilisation d'un outil électrique. Ne pas utiliser un outil électrique en étant fatigué ou sous l'effet de drogues, de l'alcool ou de médicaments. Un instant d'inattention lors de l'utilisation d'outils électriques peut entraîner des blessures graves.
- Utiliser un équipement de protection individuelle. Toujours porter des lunettes de protection. Un équipement de protection tel qu'un masque antipoussière, des chaussures à semelle antidérapante, un casque de sécurité ou une protection auditive utilisé dans les conditions appropriées réduira les blessures.

- Prévenir les démarrages involontaires. S'assurer que le commutateur est désactivé avant de brancher l'outil à la source d'alimentation ou au bloc-batterie, de le ramasser ou de le porter. Porter des outils électriques avec le doigt sur le commutateur ou brancher ces outils avec le commutateur activé invite les accidents.
- Retirer les clés de réglage avant de mettre l'outil électrique sous tension. Une clé qui reste attachée à une pièce rotative de l'outil électrique peut entraîner des blessures.
- Ne pas trop étendre les bras. Toujours maintenir l'appui et l'équilibre corrects. Cela donne une meilleure maîtrise de l'outil électrique dans des situations imprévues.
- Porter des vêtements adaptés. Ne pas porter de vêtements amples ni de bijoux. N'approcher ni les cheveux ni les vêtements des pièces en mouvement. Les vêtements amples, les bijoux et les cheveux longs peuvent être pris dans les pièces en mouvement.
- Si des appareils sont fournis pour le raccordement d'équipements d'extraction et de captage des poussières, s'assurer qu'ils sont branchés et utilisés correctement. L'utilisation d'un dispositif de captage des poussières peut réduire les risques liés aux poussières.
- Ne pas laisser la familiarité due à un usage fréquent des outils mener au relâchement et à la négligence des principes de sécurité. Une action négligente peut causer des blessures graves en une fraction de seconde.
- Toujours utiliser une chaîne de sécurité. La monture peut céder.

4. Utilisation et entretien des outils électriques

- Ne pas forcer l'outil électrique. Utiliser l'outil électrique adapté à l'application. L'outil électrique correct permet de mieux faire le travail, en plus grande sécurité, à la vitesse pour laquelle il est prévu.
- Ne pas utiliser l'outil électrique si le commutateur ne permet pas de le mettre sous ou hors tension. Tout outil électrique ne pouvant pas être commandé par le commutateur est dangereux et doit être réparé.
- Débrancher la fiche de la source d'alimentation ou retirer le bloc-batterie, s'il est détachable, de l'outil électrique avant d'effectuer tout réglage, de changer d'accessoire ou de remettre les outils électriques. De telles mesures de sécurité préventives réduisent le risque de démarrage accidentel de l'outil. (Suite page 4)

Conserver tous les avertissements et consignes pour future référence.



CONSIGNES DE SÉCURITÉ IMPORTANTES

- d) Remiser les outils électriques non utilisés hors de portée des enfants et ne laisser personne non familiarisée avec l'outil électrique ou ces consignes utiliser l'outil électrique. *Les outils électriques sont dangereux aux mains des utilisateurs non formés.*
- e) Entretien des outils électriques et les accessoires. Vérifier la présence d'un mauvais alignement ou de pièces en mouvement qui se coincent, la rupture des pièces et toute autre situation risquant de nuire au fonctionnement des outils. En cas de dommages, faire réviser l'outil électrique avant son utilisation. *De nombreux accidents sont causés par des outils électriques mal entretenus.*
- f) Maintenir les outils de perçage affûtés et propres. *Les outils de perçage bien entretenus avec des bords tranchants affûtés sont moins susceptibles de se coincer et sont plus faciles à maîtriser.*
- g) Utiliser l'outil électrique, les accessoires, les forets et toute autre pièce conformément aux consignes, en tenant compte des conditions de travail et de la tâche à effectuer. *L'utilisation de l'outil électrique pour un usage autre que celui prévu peut entraîner des situations dangereuses.*
- h) Maintenir les poignées et surfaces de préhension propres et exemptes d'huile et de graisse. *Des poignées ou surfaces de préhension glissantes ne permettent pas de manier et de contrôler l'outil de manière sécuritaire dans les situations inattendues.*

5. Entretien

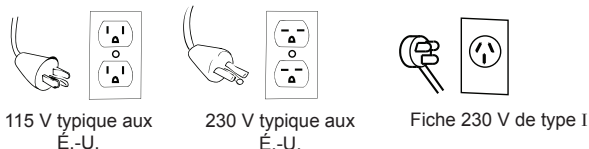
- a) Confier l'entretien de l'outil électrique à du personnel de réparation qualifié qui n'utilisera que des pièces de rechange identiques. *Cela assurera la préservation de la sécurité de l'outil électrique.*

CONSIGNES DE SÉCURITÉ SUPPLÉMENTAIRES

Sécurité du branchement électrique

Cette perceuse magnétique est conçue pour être utilisée sur du 115 V c.a. ou du 230 V à 50–60 Hz. Ne pas essayer de se servir de la perceuse sur des sources d'alimentation ayant d'autres caractéristiques nominales que celles-ci.

Fiches et prises



Des raccordements électriques humides présentent un risque d'électrocution. Pour empêcher le fluide de perçage de couler le long du cordon et d'entrer en contact avec la fiche ou la prise d'alimentation, réaliser une boucle d'égouttement comme illustré. Surélever également les rallonges ou les branchements aux coffrets électriques.



Rallonges

Utiliser uniquement des rallonges à 3 fils munies d'une fiche à 3 contacts avec mise à la terre et de prises tripolaires compatibles avec la fiche de l'outil. Remplacer ou réparer les cordons endommagés. S'assurer que le conducteur est d'un calibre suffisant pour éviter une chute de tension excessive qui entraînerait une coupure de courant et risquerait d'endommager le moteur.

LONGUEUR DE CORDON	CALIBRE DE FIL RECOMMANDÉ	CALIBRE DE FIL RECOMMANDÉ
	MOTEUR 115 V 10 À 12 A	MOTEUR 230 V 5 À 6 A
Jusqu'à 7,6 m (25')	16	18
De 7,9 à 15,2 m (26 à 50')	14	18
De 15,5 à 30,5 m (51 à 100')	10	16
De 30,8 à 61,0 m (101 à 200')	8	14
De 61,3 à 91,4 m (201 à 300')	6	12
De 91,7 à 152,4 m (301 à 500')	4	10

Utilisation des rallonges d'extérieur

Lorsque l'outil est utilisé à l'extérieur, se servir uniquement de rallonges prévues pour un usage extérieur et marquées comme telles.

Consignes de sécurité supplémentaires

L'arbre et la fraise ne doivent jamais être employés comme main courante ou poignée. N'approcher les mains et les vêtements d'aucune pièce en mouvement. Ne pas utiliser les fraises Hougen là où la débouchure éjectée risque de causer des blessures (débouchure éjectée à la fin du perçage). Suivre également toutes les instructions d'utilisation. Ne pas percer de surface qui pourrait renfermer un câblage électrique sous tension. L'entrée en contact avec un fil sous tension lors du perçage risque de mettre sous tension les pièces métalliques exposées de la perceuse. Retirer les copeaux enroulés autour de la fraise et de l'arbre après chaque trou. Après avoir arrêté le moteur et coupé l'alimentation, saisir les copeaux avec des gants en cuir ou des pinces et tirer tout en faisant tourner dans le sens inverse des aiguilles d'une montre. Si la fraise se coincé dans la pièce à traiter, arrêter immédiatement l'unité pour éviter les blessures. Débrancher la perceuse de la source d'alimentation et libérer la fraise coincée en faisant tourner l'arbre dans le sens inverse des aiguilles d'une montre. Ne jamais essayer de libérer la fraise coincée en démarrant le moteur. Confier l'entretien exclusivement à un centre de réparations agréé.

Utilisation près d'un équipement de soudage

NE PAS utiliser cette unité sur une surface de travail où une opération de soudage est en cours. L'unité risquerait d'être gravement endommagée, en particulier le cordon d'alimentation. L'opérateur pourrait aussi être blessé.

Disjoncteur (le cas échéant)

Le remplacement du disjoncteur par un autre d'intensité nominale plus élevée ou le contournement du disjoncteur est déconseillé et annulera la garantie du produit.

Fonctionnement du disjoncteur

(le cas échéant)

Le disjoncteur est un disjoncteur thermique. Lorsqu'il atteint la température nominale supérieure, il se déclenche et cause l'arrêt de l'unité. Il s'agit d'un dispositif de protection, qui peut être réarmé après 5 à 10 minutes. Pour réarmer le disjoncteur, renfoncer son bouton. S'il ne se réarme pas, laisser l'unité refroidir un peu plus longtemps, jusqu'à ce que le bouton puisse être enfoncé et reste en place.

Conserver tous les avertissements et consignes pour future référence.

INSTRUCTIONS RELATIVES À LA CHAÎNE DE SÉCURITÉ

Il faut **TOUJOURS** se servir d'une chaîne de sécurité à chaque utilisation de la perceuse.

La chaîne de sécurité évite à la perceuse de chuter, dans le cas d'une panne de courant ou si l'aimant se détache de la surface de travail. La chaîne de sécurité se fixe à la perceuse en s'introduisant dans la bague en D à l'arrière de l'unité, puis en continuant à s'enrouler autour du matériau et/ou de la surface de travail. Régler la chaîne de sorte qu'elle soit tendue et immobilisée.



FONCTIONNEMENT DES COMMANDES AVANT L'INSTALLATION DE LA FRAISE HOUGEN



PLAQUE DE COMMUTATEURS DU PANNEAU DE COMMANDE

IMPORTANT : Avant d'allumer la machine, il est important que l'opérateur comprenne les fonctions interdépendantes du **COMMUTATEUR DE SÉCURITÉ**, du **COMMUTATEUR D'AIMANT** et des **COMMUTATEURS DE MOTEUR**. **LIRE LES INSTRUCTIONS SUR LE TÉMOIN LUMINEUX DE COMMUTATEUR DE SÉCURITÉ.**

COMMUTATEUR DE SÉCURITÉ — Situé dans la base de la perceuse. Permet au moteur de fonctionner uniquement lorsque l'aimant est correctement installé sur une surface de travail propre et plate. Coupe le moteur si le commutateur détecte que l'unité est soulevée. (Voir la page 2 pour l'emplacement du commutateur de sécurité.)

COMMUTATEUR DE MISE SOUS TENSION/MISE HORS TENSION D'AIMANT — Met sous tension et met hors tension la base magnétique et active le commutateur de sécurité. Le moteur peut maintenant être démarré en appuyant sur le commutateur de DÉMARRAGE de moteur.

COMMUTATEURS DE DÉMARRAGE/ARRÊT DE MOTEUR — Démarre et arrête le moteur.

1. Placer la perceuse magnétique sur une plaque d'acier propre et plate, épaisse d'au moins 9,5 mm (3/8").
2. Brancher l'unité à une source d'alimentation c.a. appropriée. **NE PAS utiliser d'alimentation c.c.**
3. Repérer le commutateur de **MISE SOUS TENSION** et de **MISE HORS TENSION** d'aimant et le commutateur d'**ARRÊT** et de **DÉMARRAGE** de moteur.
4. **REMARQUE :** Une coupure de courant met la base magnétique hors tension et désactive le moteur. Lorsque le courant est rétabli, l'aimant se remet sous tension mais il faut appuyer sur le commutateur de **DÉMARRAGE** de moteur pour que le moteur démarre.

TÉMOIN LUMINEUX DE COMMUTATEUR DE SÉCURITÉ

**** LE TÉMOIN DE COMMUTATEUR DE SÉCURITÉ S'ALLUME ET RESTE ALLUMÉ PENDANT QUE LA PERCEUSE EST BRANCHÉE ****

Le témoin lumineux de commutateur de sécurité est un dispositif de sécurité standard sur les perceuses magnétiques portatives Hougén. Il a pour rôle d'informer l'utilisateur de l'existence d'une situation dangereuse. Son rôle est d'informer l'utilisateur que le détecteur de levée est activé.

Si le témoin est vert :

Dans les conditions normales de fonctionnement, le témoin de commutateur de sécurité est vert. Les commutateurs de « marche » et d'« arrêt » du moteur fonctionnent normalement.

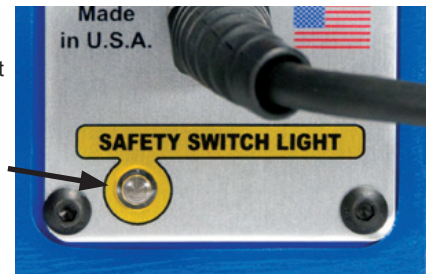
Si le témoin est rouge :

Le commutateur de sécurité présente un problème qui doit être corrigé. Causes possibles :

- Le commutateur de sécurité est défectueux. Faire réparer la perceuse.
- Surface de travail ou matériau irrégulier. Vérifier que la surface de travail est plate.
- Saleté ou copeaux sous l'aimant. Nettoyer la surface de travail.

Test du commutateur de sécurité :

Avant d'utiliser la perceuse, toujours tester le commutateur de sécurité. Pour tester le commutateur, placer la perceuse sur une surface de travail et la brancher à la prise. Basculer la perceuse de façon à ce que l'aimant se soulève de la surface de travail. Le témoin du commutateur de sécurité doit passer du vert au rouge. Un témoin qui reste vert ou rouge indique un problème de commutateur de sécurité qu'il est nécessaire de corriger. (p. ex. commutateur de sécurité défectueux, piston de sécurité dans la base de l'aimant bloqué, etc.) Corriger et refaire un test avant d'utiliser la perceuse.



PLAQUE DE COMMUTATEURS DU PANNEAU DE COMMANDE

Le matériau doit être épais d'au moins 9,5 mm (3/8"). Si le matériau est épais de moins de 9,5 mm (3/8"), l'aimant ne « tiendra » pas bien.

HOUGEN MANUFACTURING RECOMMANDE DE CORRIGER LES PROBLÈMES DE SORTE QUE LE TÉMOIN SOIT VERT. AINSI, L'UNITÉ POURRA ÊTRE UTILISÉE EN TOUTE SÉCURITÉ.

Pour toute question, prière de s'adresser au service technique de Hougén Manufacturing au (810) 635-7111.

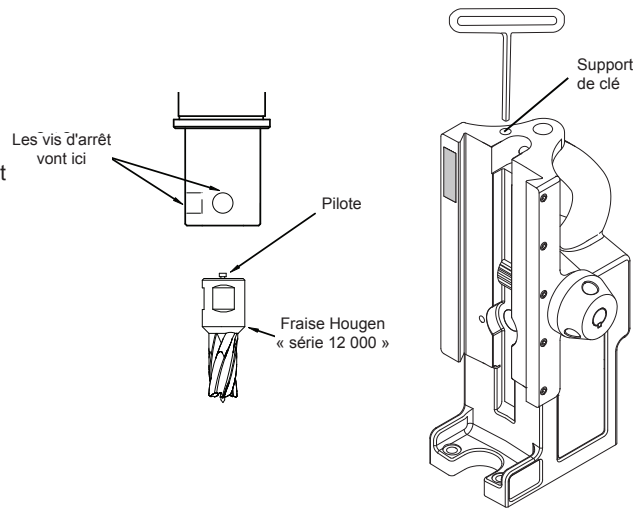
COMMUTATEUR D'ÉCLAIRAGE DE PILOTE

L'éclairage de pilote est un dispositif standard sur les perceuses magnétiques portatives Hougén. Il a pour rôle d'illuminer la zone de la surface de travail pour mieux voir le pilote.



INSTALLATION DE LA FRAISE HOUGEN DANS L'ARBRE

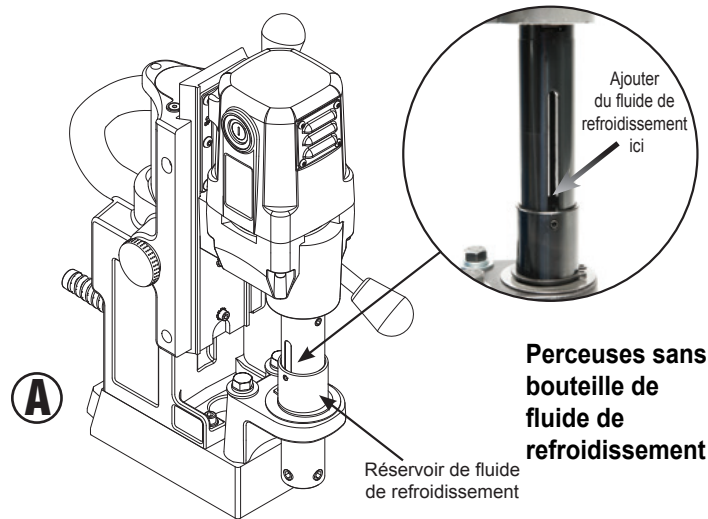
1. Débrancher l'unité de la source d'alimentation et retirer la clé à poignée en T du support, en haut de la perceuse.
2. Coucher la perceuse sur le côté avec les poignées d'avance vers le haut ou s'assurer que l'arbre est dégagé du socle si l'unité est en position normale de fonctionnement.
3. Tourner les poignées d'avance jusqu'à ce que les vis d'arrêt de montage de fraise soient exposées et retirer complètement ces vis.
4. Introduire le pilote approprié dans le côté tige de la fraise Hougen.
5. Insérer la fraise Hougen jusqu'à ce que le méplat de sa tige soit aligné avec les trous des vis d'arrêt et soit exactement perpendiculaire à l'axe de ces trous.
6. Introduire les vis d'arrêt et les serrer. Vérifier que la fraise est bien fixée.



UTILISATION DU RÉSERVOIR DE FLUIDE DE PERÇAGE

POUR DES RÉSULTATS OPTIMAUX, TOUJOURS UTILISER DU FLUIDE DE REFOUILLISSEMENT.

1. La perceuse magnétique étant en position de fonctionnement, tourner les poignées d'avance de sorte que la fraise et le pilote se trouvent au-dessus de la surface de travail.
2. L'aimant étant **SOUS TENSION** et le moteur **ARRÊTÉ**,
 - A) Sur les perceuses sans bouteille de fluide de refroidissement, remplir le réservoir d'arbre en introduisant le fluide de perçage RotaMagic™ par les fentes de l'arbre. **Le fluide de perçage ne doit pas fuir à l'extérieur.**
 - B) Sur les perceuses avec bouteille de fluide de refroidissement, attacher la bouteille de fluide de refroidissement comme indiqué sur le schéma et la remplir de fluide de refroidissement.
3. Tester le débit de l'ensemble arbre/fraise/pilote (aimant **SOUS TENSION** - moteur **ARRÊTÉ**) en faisant avancer l'arbre doucement vers la surface de travail jusqu'à ce que le pilote soit poussé vers le haut dans la fraise, permettant ainsi au fluide de s'écouler lentement sur la surface de travail à travers la rainure du pilote.

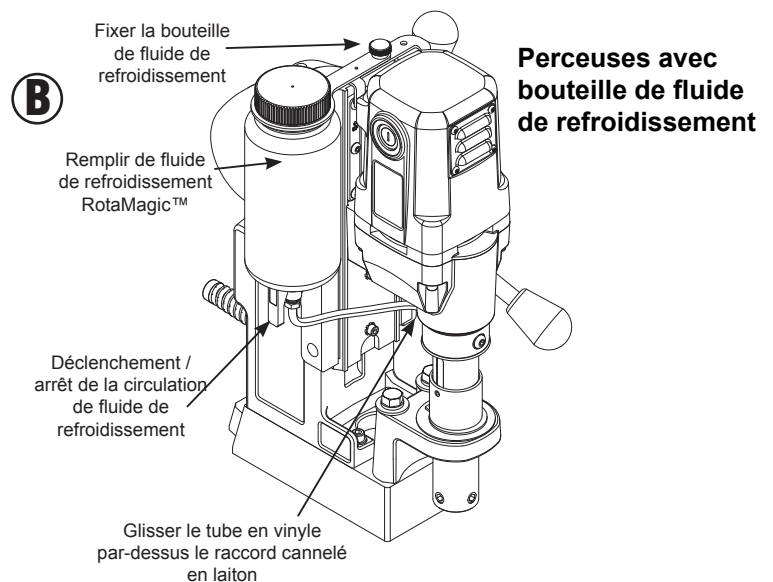


Perceuses sans bouteille de fluide de refroidissement

Perceuses sans bouteille de fluide de refroidissement

4. Pour que la lubrification soit correcte, tout le fluide présent dans le réservoir doit se vider sur la surface de travail en au moins 15 secondes et au plus 30 secondes.
5. Le réservoir de l'arbre contient suffisamment de fluide de refroidissement pour le perçage d'un trou environ.

* Cette méthode d'utilisation du fluide de refroidissement peut aussi être employée dans la version avec bouteille de fluide de refroidissement fixée, si la bouteille est perdue.
6. Sur les perceuses avec bouteille de fluide de refroidissement, utiliser le levier d'activation/désactivation de la bouteille de fluide de refroidissement pour régler le débit du fluide de refroidissement.
7. Pour le perçage de trous à l'horizontale ou en surplomb, utiliser du lubrifiant Slick-Stik™.



Perceuses avec bouteille de fluide de refroidissement



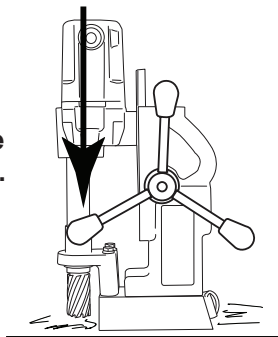
INSTRUCTIONS D'UTILISATION

Ne jamais oublier que la puissance d'attraction de l'aimant est directement liée à l'épaisseur de la pièce à traiter et à l'état de sa surface. Sachant que l'attraction magnétique diminue si le matériau est fin ou si la surface est rugueuse, la perceuse doit être fixée mécaniquement à la pièce à traiter lorsqu'un matériau fin (9,5 mm [3/8"] ou moins) ou présentant une surface irrégulière va être percé.

1. S'assurer que la pièce à traiter et le dessous de l'aimant sont exempts de copeaux, d'huile, etc.
2. Vérifier que le commutateur de sécurité fonctionne correctement. (Voir la section relative au témoin du commutateur de sécurité.)
3. Positionner la perceuse en la faisant glisser et en faisant avancer l'arbre doucement de sorte que la pointe du pilote touche le centre du trou à percer.
4. **Fixer l'unité à la pièce à traiter à l'aide de la chaîne de sécurité.**
5. Mettre l'aimant « SOUS TENSION » en appuyant sur le commutateur de MISE SOUS TENSION d'aimant.
6. Tourner la poignée d'avance, en relevant la fraise jusqu'à ce que le pilote se trouve au-dessus de la surface de travail.
7. Remplir le réservoir de fluide de refroidissement ou la bouteille de fluide de refroidissement fixée, le cas échéant.
8. S'assurer que la fraise est dégagée de la pièce à traiter et mettre le moteur en « MARCHÉ » en appuyant sur le commutateur de DÉMARRAGE de moteur.
9. Avancer la fraise Hougén lentement dans la pièce à traiter. Attendre que le perçage soit amorcé sur une profondeur d'environ 1,6 mm (1/16") avant d'appliquer la pleine puissance aux poignées d'avance.
10. Relâcher quelque peu la pression d'avance lorsque la fraise commence à ressortir.
11. Lorsque le perçage est terminé, « ARRÊTER » le moteur en appuyant sur le commutateur d'ARRÊT de moteur. Tourner les poignées d'avance pour relever l'arbre et ainsi éjecter la débouchure si elle n'est pas déjà tombée en se détachant.
12. Mettre l'aimant « HORS TENSION » en appuyant sur le commutateur de MISE HORS TENSION d'aimant.
13. **Débrancher l'unité de la source d'alimentation.**
14. Si nécessaire, retirer les copeaux de la fraise et de l'aimant, de préférence à l'aide de gants de travail en cuir et/ou de pinces. Détacher la chaîne de sécurité. L'unité est alors prête à être déplacée vers une nouvelle position de perçage.

Lors du perçage, en particulier à l'horizontale ou en surplomb, toujours appliquer la pression d'avance vers la surface de travail. Ne jamais la retirer de la surface de travail car cela peut réduire la puissance de maintien magnétique.

Avancer vers la surface de travail à l'aide des poignées.



Ne jamais éloigner les poignées de la surface de travail.



ENTRETIEN

Afin de minimiser l'usure des pièces en mouvement et d'améliorer le fonctionnement et la durée de service de cette perceuse magnétique, les opérations d'entretien suivantes doivent être effectuées périodiquement, en fonction de l'utilisation.

1. Serrer régulièrement toutes les fixations et remplacer toutes les pièces usées.
2. Vérifier les balais du moteur et les remplacer s'ils sont usés.
3. Vérifier le cordon d'alimentation et le cordon qui relie le panneau au moteur et, s'ils sont craquelés ou effilochés, les renvoyer à un centre de réparations agréé pour qu'ils soient remplacés.
4. Appliquer de la graisse sur les queues d'aronde de la coulisse, les cales en laiton et la crémaillère d'avance. Pour obtenir les meilleurs résultats, utiliser de la graisse Shell Cyprina-RA ou l'équivalent.
5. Retirer l'arbre et garnir le roulement du support d'appui avant de graisser. Utiliser de la graisse Shell Cyprina-RA ou l'équivalent.
6. Le piston du commutateur de sécurité doit être propre et lubrifié régulièrement avec de l'huile pénétrante. Selon les besoins, séparer l'aimant de la perceuse et enlever l'ensemble commutateur de sécurité de l'aimant. Sortir le piston de l'aimant en poussant. Nettoyer tous les débris qui se trouvent à l'intérieur et autour du trou de piston dans l'aimant. Enduire le piston de produit antigrippant. Remettre le piston et l'ensemble commutateur de sécurité, puis serrer les vis. Remettre l'aimant sur le boîtier de la perceuse.



CONSEILS POUR AMÉLIORER LE FONCTIONNEMENT

1. Garder l'intérieur de la fraise Hougen exempt de copeaux. Les copeaux gênent le perçage jusqu'à la profondeur maximum, peuvent empêcher l'huile de s'écouler librement et peuvent entraîner une cassure de la fraise.
2. Garder la pièce à traiter, la machine, l'arbre et la fraise Hougen exempts de copeaux et de saleté.
3. Serrer régulièrement tous les boulons et fixations.
4. Il est fortement recommandé d'utiliser un fluide de perçage à faible viscosité (de préférence du fluide de perçage Hougen).
5. Vérifier de temps en temps le débit d'écoulement du fluide de perçage. L'absence de fluide de perçage peut entraîner un blocage de la fraise Hougen en cours de perçage, provoquer un coincement de la débouchure et réduire fortement la durée de service de la fraise.
6. Toujours démarrer le perçage en exerçant une pression d'avance légère, puis l'augmenter suffisamment pour atteindre la vitesse maximum de perçage.
7. Relâcher quelque peu la pression lorsque la fraise commence à ressortir à la fin du perçage.
8. Garder les queues d'aronde de la coulisse, les cales en laiton et la crémaillère d'avance lubrifiées et exemptes de copeaux et de saleté.
9. Lorsque la débouchure reste accrochée dans la fraise, arrêter le moteur et descendre la fraise sur une surface plate. Normalement, cela remet droite une débouchure mal positionnée, ce qui lui permet d'être éjectée.
10. Lors du perçage de trous de grand diamètre ou profonds, il peut falloir s'arrêter au milieu de l'opération pour ajouter du fluide de perçage et retirer les copeaux des alentours de l'arbre. (Pour ce faire, **NE PAS** relever la fraise ni la sortir du trou, sous peine de faire passer des copeaux sous ses dents, ce qui rendrait difficile le redémarrage du perçage.)

La cause n° 1 de cassure de la fraise et d'émoussement prématuré des dents est une pression d'avance trop faible

Trop limiter la pression sur la fraise lors du perçage ne fait que raccourcir la durée de service de l'outil.

***En cas de doute, appelez-nous...
Nous serons ravis de vous aider !***

**(810) 635-7111
tech@hougen.com**



HOUGEN MANUFACTURING, INC.

3001 Hougen Drive • Swartz Creek, MI 48473 USA
Ph: (810) 635-7111 • Fax: (810) 635-8277
info@hougen.com • www.hougen.com