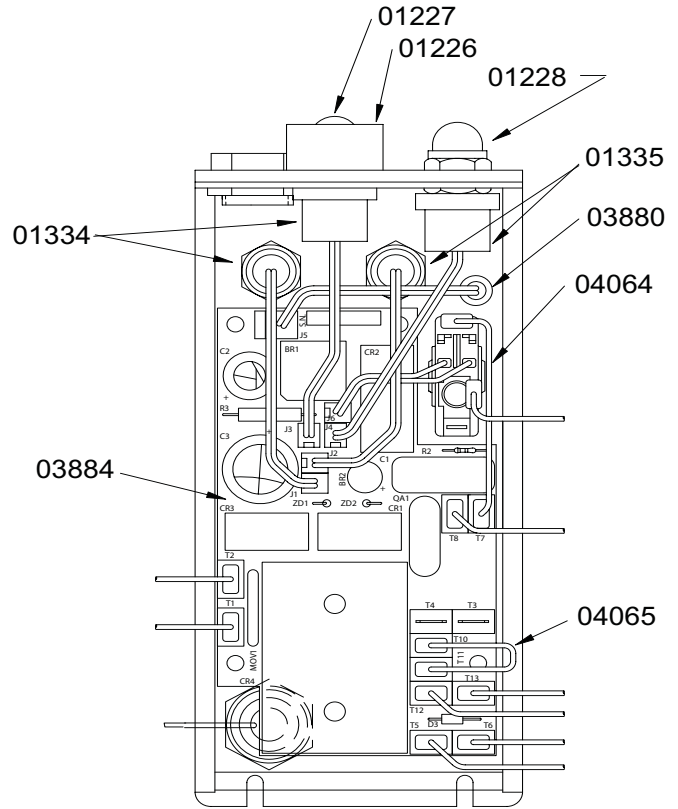
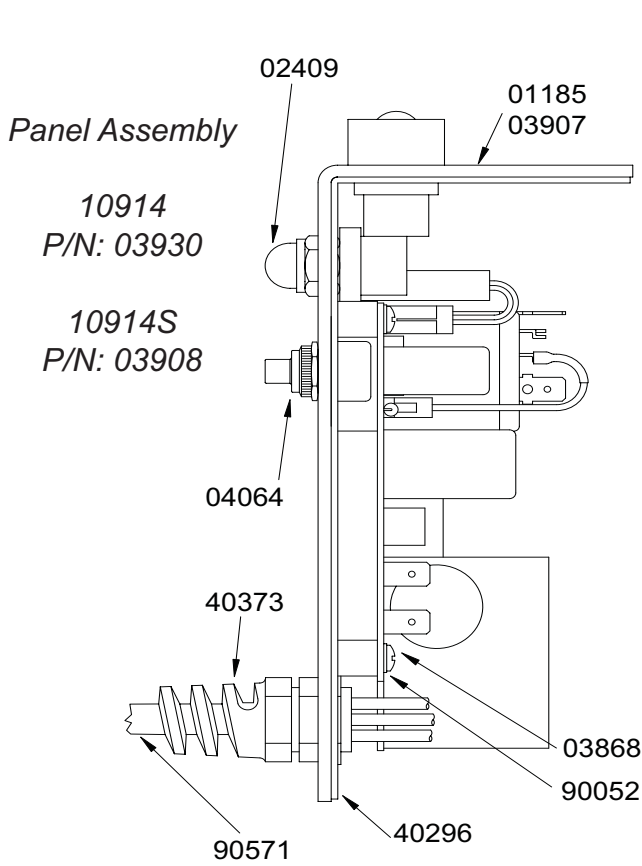
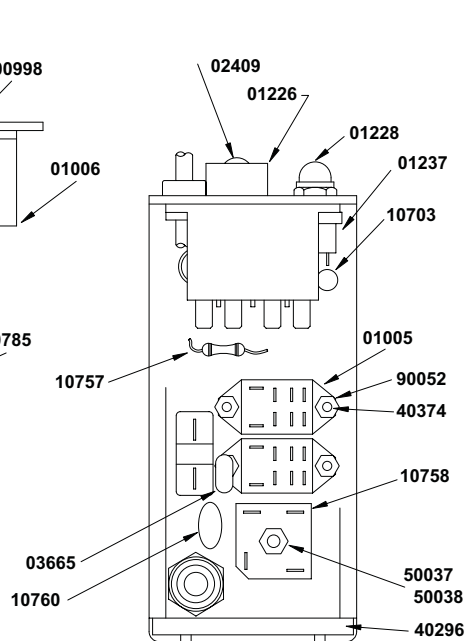
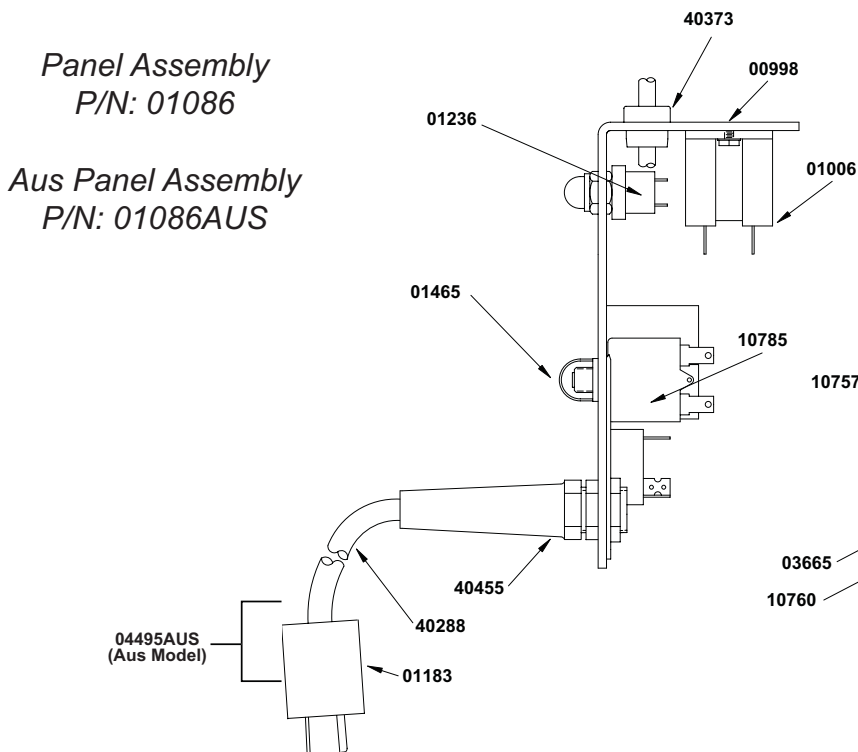


MODEL 10914 AND 10914S PANEL COMPONENTS



MODEL 10909 AND 10909S PANEL COMPONENTS



10909 & 10914 Panel Components

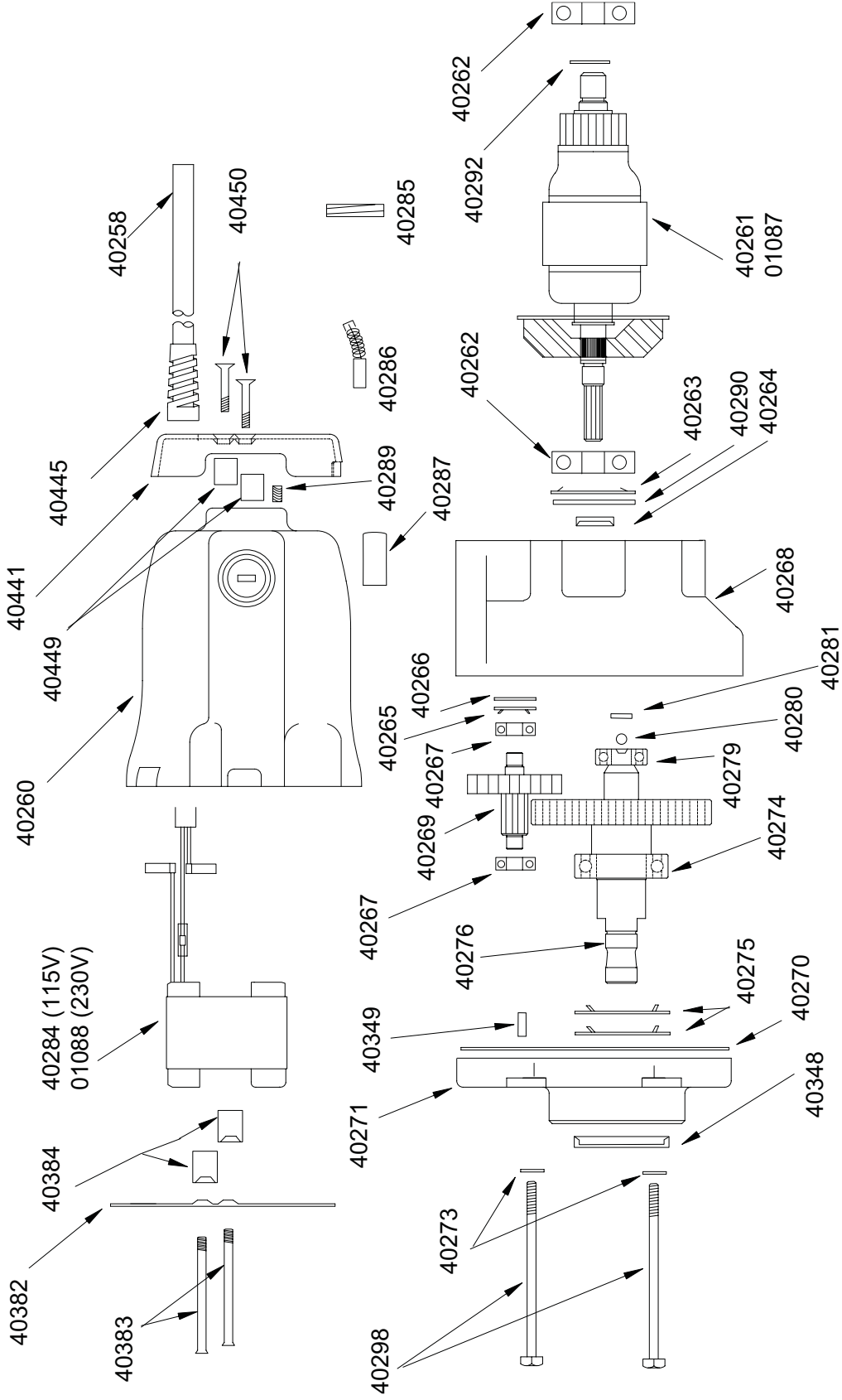
Part #	Description	Quan.	Part #	Description	Quan.
00998	Faceplate 10909	1	03907	Faceplate (10914S)	1
01005	Relay-Logic 230V (10909)	2	03995	Vibration Mount (10914)	4
01006	Relay-Power (230V) 10909	1	04064	Circuit Breaker Assy. (10914)	1
01183	Plug 250V (10909)	1	04065	Wire Jumper Assy. (10914)	1
01185	Face Plate (10914)	1	04495AUS	Power Cord Assembly (Aus Model)	1
01226	Switch Guard	1	10703	L.E.D. (10909)	1
01228	Switch Seal Red/Off	2	10757	Resistor 1 Meg (10909)	1
01236	Push Button Switch On (10909)	2	10758	Rectifier Fullwave (10909)	1
01237	Push Button Switch Off (10909)	2	10760	Surge Supressor (10909)	1
01306	Pan Head Screws #6-32 (10914)	4	10785	Circuit Breaker (10909)	1
01334	Motor/Magnet On Switch (10914)	2	40288	Cord 16/3 (10909)	1
01335	Motor/Magnet Off Switch (10914)	2	40296	Seal - Neoprene	2FT.
01465	Circuit Breaker Boot (10909)	1	40373	Strain Relief	1
02409	Switch Seal Green	2	40374	Hex Nut #6-32 (10909)	6
03665	Snubber Circuit (10909)	1	40455	Strain Relief (10909)	1
03721	Jumper (10914)	1	50037	Hex Nut #10-32 (10909)	1
03880	Line/Lamp Harness Assy. (10914)	1	50038	Lock Washer (10909)	1
03884	Circuit Board (10914)	1	90052	Lock Washer (10914)	4
			90571	Power Cord Assy. (10914)	1

Drill Maintenance

In order to minimize wear on moving parts and insure smoother operation and longer life, the following maintenance should be done periodically, based on use.

- At intervals of 500 holes or 10 hours of actual running time, check all fasteners for tightness and retighten if necessary. This is especially important for fasteners required for smooth, efficient cutting action. These include: Gib screws and nuts, motor hold down screws, skid plate screws, bracket mounting screws and nuts, housing bolts, clamp screw and front support bracket bolts.
- Coolant bottle must be attached to inducer under pressure with shut-off valve open to lubricate inducer o-rings whenever motor, is running.
- Apply grease to slide dovetails, brass gibs, and the feed gear rack. (For best results, use Shell Cyprina-RA or equivalent.)
- Remove front support bracket from arbor and pack bearing with grease. (Shell Cyprina-RA or equivalent)

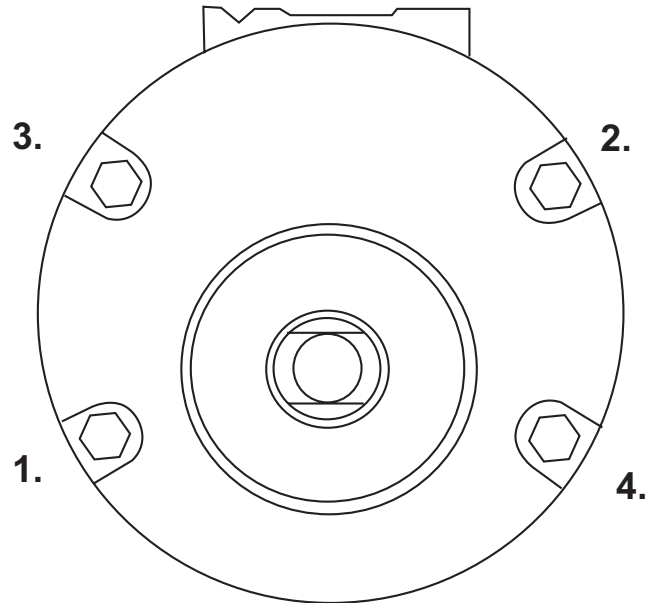
Motor Exploded View and Parts List



- 40287** Torque to 4 - 6 in/lb
- 40383** Torque to 15 - 25 in/lb (Use Loctite® #242)
- 40287** Loctite® #271 to outside of Brush Holder

Motor Bolt Sequence

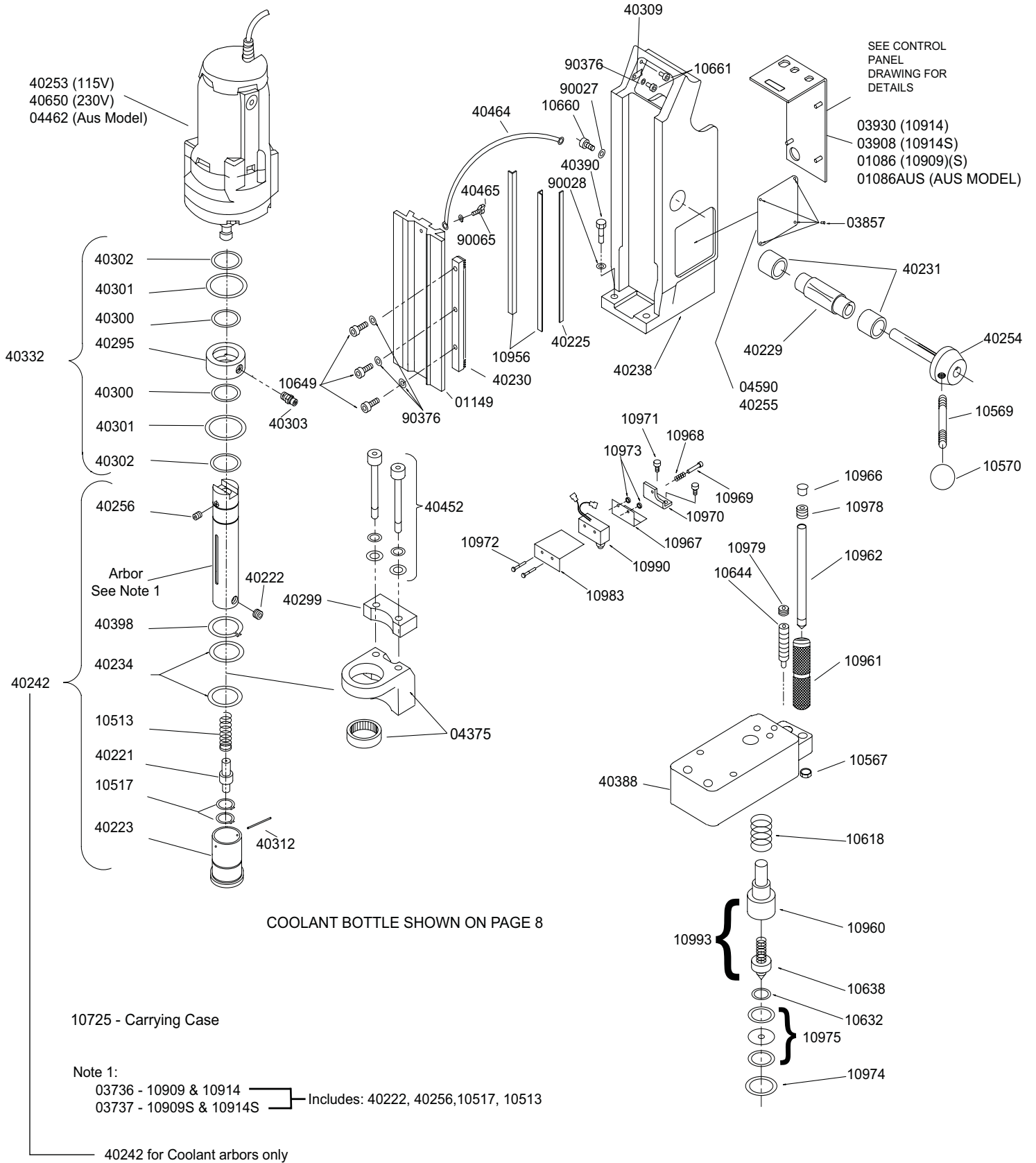
1. Tighten bolts in the sequence shown to 5 - 10 in/lb.
2. Retighten bolts in the same sequence to 35 - 40 in/lb.



Motor Parts List

Part No.	Description	No. Req'd.	Part No.	Description	No. Req'd.
01087	Armature Assembly 230V	1	40280	Ball	1
01088	Field Assembly 230V	1	40281	Motor Slug	1
04204	Motor Cord (3 wire)	1	40284	Field Assembly 115V	1
04308	Field Assembly (3 wire)	1	40285	Brush Plug	2
40258	Motor Cord	1	40286	Brush, Carbon	2
40260	Housing, Brush End	1	40287	Brush Holder	2
40261	Armature Assembly 115V	1	40289	Screw #10-32 x 1/4"	2
40262	Bearing	2	40290	Washer	1
40263	Spring, Flat	1	40292	Retaining Ring	1
40264	Seal	1	40298	Screw 1/4-20 x 3-1/2"	4
40265	Spring, Flat	1	40348	Seal	1
40266	Washer	1	40349	Plug	1
40267	Bearing	2	40350	Syntech Grease	8 oz.
40268	Housing, Gear	1	40382	Baffle	1
40269	Gear Cluster	1	40383	Screw #10-32	2
40270	Gasket	1	40384	Baffle Spacer	2
40271	Cap, Gear Housing	1	40441	End Cap	1
40273	Lock Washer 1/4"	4	40445	Strain Relief	1
40274	Bearing	1	40449	Spacer	2
40275	Spring, Flat	2	40450	Screw #10-32 x 1"	2
40276	Gear Output	1	90424	Brush Holder Clip	2
40279	Bearing	1			

MODELS 10909 AND 10914 EXPLODED VIEW



PARTS LIST

Part No.	Description	No. Req'd.	Part No.	Description	No. Req'd.
01086	Control Panel 230V	1	40230	Gear Rack	1
01086AUS	Control Panel 230V (Aus Model)	1	40231	Bushing - Bronze	2
03736	Arbor 10909 & 10914	1	40234	Thrust Washer	2
03737	Arbor 10909S & 10914S	1	40237	Set Screw 1/4-28	5
03930	Control Panel 115V	1	40238	Housing	1
04375	Arbor Supp. Brkt. Assy.	1	40242	Arbor Assy w/ejector (coolant)	1
04462	230V Aus Replacement Motor	1	40254	Hub Assy.	1
04590	Warning Label	1	40253	115V Replacement Motor	1
10513	Arbor Spring	1	40255	Warning Tag	1
10517	Retaining Ring	1	40256	Set Screw 5/16-18	1
10567	Jamb Nut	1	40294	Motor Slide	1
10569	Feed Handle	3	40295	Inducer	1
10570	Feed Handle Knob	3	40297	Screw - Slotted Hex	4
10618	Safety Switch Spring	1	40299	Arbor Support Brkt. (3/4")	1
10632	Retaining Ring	1	40300	"O" Ring	2
10638	Safety Switch Brg. Assy.	1	40301	Thrust Washer	2
10644	Glide Post	1	40302	Retaining Ring	2
10649	Screw SHC #10-32	3	40303	Coolant Fitting	1
10660	Screw SHC 1/4-20 x 5/8	1	40304	Tubing 1/4" O.D.	1
10661	Screw BHC #10-24	2	40309	Cord Clamp	1
10725	Carrying Case	1	40312	Roll Pin - Modified	1
10956	Brass Gibs - Pair	1	40326	Cutting Fluid Valve	1
10960	Plunger Body	1	40332	Inducer Assy.	1
10961	Slide Hammer	1	40333	Brass Insert	1
10962	Impactor	1	40338	Nylon Ferrule, 1/4" Tube	1
10966	Dust Cap - Plastic	1	40377	Shrink Tube	1
10967	Microswitch Mount. Spring	1	40388	Magnet 115V/230V	1
10968	Microswitch Adj. Spring	1	40390	Bolt-HH 1/4-20	3
10969	Microswitch Mount Screw	1	40398	Ejector Collar Ret. Ring	1
10970	Safety Switch Adj. Brkt.	1	40417	Coolant Bottle	1
10971	Screw SHC 1/4-20	2	40419	Retaining Bracket - Right	1
10972	Screw BHC #6-32	2	40420	Retaining bracket - Left	1
10973	#6-32 Nylon Insert Nut	2	40422	Coolant Bottle Clamp	1
10974	Retaining Ring, Plunger	1	40424	Anti-Rotational Finger	1
10975	Pivot Point Seal	1	40429	Nut - Locking	1
10977	Screw BH 1/4-20	1	40433	Coolant Bottle Cap	1
10978	Screw BH 5/16-24	1	40442	Cutting Fluid Bottle Assy.	1
10979	Glide Post Lock Screw	1	40452	Arbor Bolt Kit	1
10983	Microswitch Ins. Shield	1	40464	Ground Strap	1
10990	Microswitch Assy.	1	40465	Screw - HH 1/4-20	1
10993	Safety Switch Pivot Assy.	1	40650	230V Replacement Motor	1
40221	Spring Seat	1	50035	Washer 1/4" Internal Tooth	6
40222	Set Screw - Arbor	2	51042	Screw SHC 1/4-20	2
40223	Ejector Collar	1	90027	Washer Flat	1
40225	Steel Gib	1	90028	Washer 1/4" Helical	3
40229	Feed Gear	1	90052	Washer Ground Screw	1
			90065	Washer 1/4" Star	2
			90352	Screw SHC 1/4-28	4
			90376	Washer #10 Internal	3